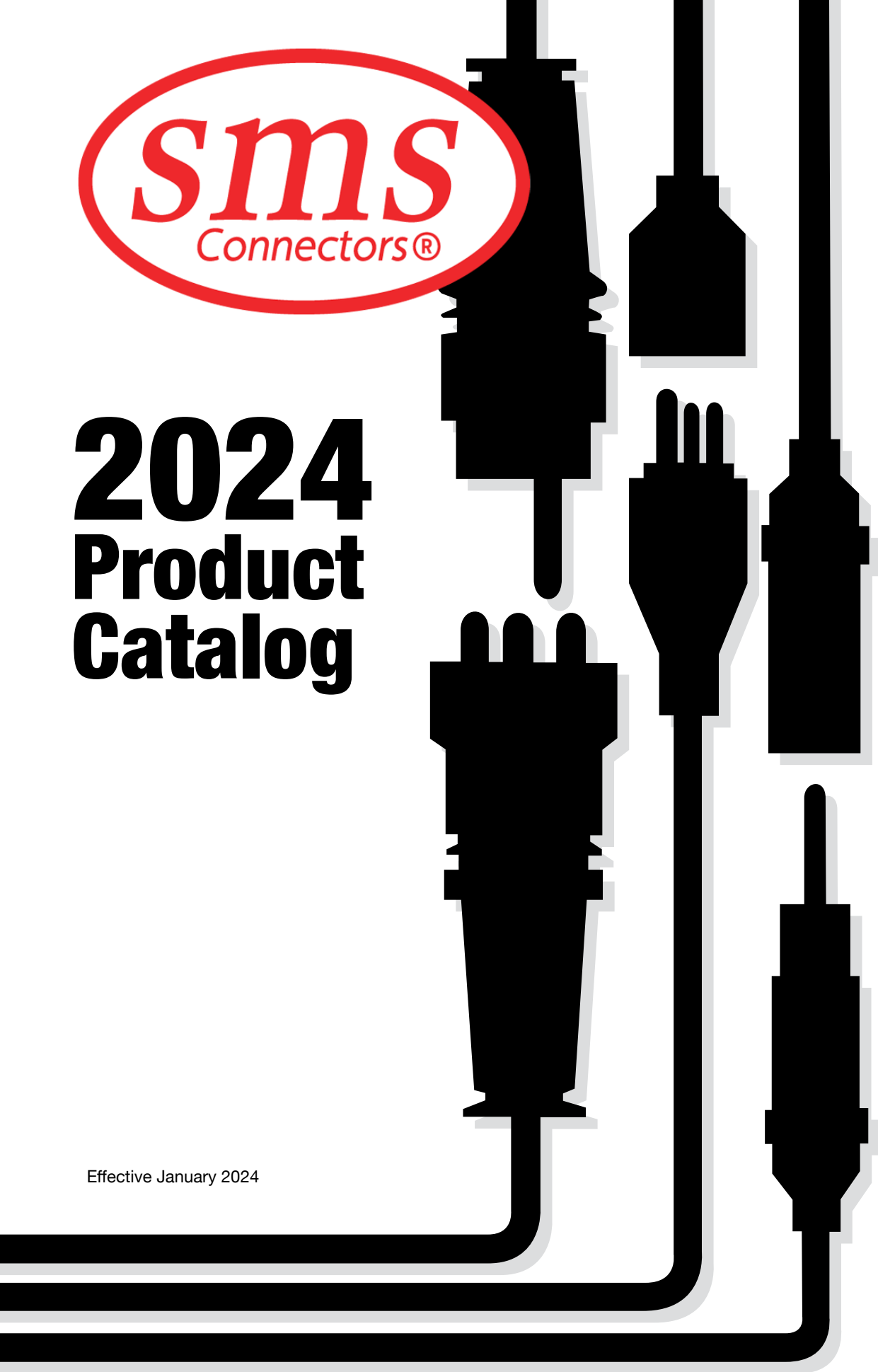




2024 Product Catalog

Effective January 2024



SPECIAL MINE SERVICES, INC.

Contents

Lever-Action Connectors	5, 6, 9, 10, 11
Mag Series Electrical Connectors	8
Uni-Lock Connectors	10 to 15
Round Connectors	16 to 19
Oval Connectors.....	20 to 23
Push-Lock Connectors	24, 25
Change-Out Connectors	26, 27
Ramp Power Connectors.....	28
Studio Entertainment.....	30 to 36
High Voltage.....	37 to 62
Standard Terms and Conditions	63





SMS Office Locations

To place an order for SMS Connectors, please contact the following:

Electrical Connector Sales & Service

USA & International Sales

Marshall Girtman

P: +1 (618) 932-2151 • F: +1 (618) 937-2715
E: marshall.girtman@specialmineservices.com

USA & Canada, Sales,

Technical Support 24 Hrs 7 days a week

P: +1 (647) 808-0965
C: +1 (618) 937-8333
E: smsconnectors@aol.com

Mining Products • Sales & Service

Illinois

Lisa Smith
P: 618-932-2151 • F: 618-937-2715
E: lisa.smith@specialmineservices.com

Indiana

Kaleb Riecken
P: 812-354-9104 • F: 812-354-2176
E: Kaleb.Riecken@specialmineservices.com

Kentucky

Ernie Bullock
P: 270-754-9911 • F: 270-754-9894
E: ernie.bullock@specialmineservices.com

SMS Standard Terms & Conditions

<https://specialmineservices.com/standard-terms-and-conditions/>



Molded Electrical Connectors for the Mining, Tunneling, and Industry

UNI-LOCK

#8 through 500 MCM
Up to 1000V/625 Amps



OVAL

Two through Five Contacts
#14 to #2/0 AWG
Up to 600V/95 Amps



PUSH LOCK

Single Contact
#2 through 750 MCM
600V to 5000V/540 Amps



CHANGE OUT

Two through Nine Contacts
#18 to #10 AWG
Up to 600V/25 Amps



ROUND

One to 24 Contacts
#18 to #4/0 AWG
Up to 5000V/235 Amps



RAMP POWER

#4 to #4/0 AWG
Up to 600V/180 Amps



Uni-Lock Lever-Action Connectors for Mining, Tunneling, and Industry

UNI-LOCK LEVER-ACTION CONNECTORS

STANDARD FEATURES

- Unique Connector Back and D-style Pins Prevent Arcing
- Larger and Longer Set Screws Prevent Barrel Fall-Through
- All Rubber Connector - Will Not Go Out of Round
- Engages Mechanically - Eliminates Couplers Seizing Together
- Single-Barrel Pilot Pins with Two Set Screws
- Two Grommets with O-ring Seals
- Six-fingered Female Contact Pin for Positive Contact with Male Pin
- The connectors and cable are CSA certified - The complete assembly is NOT certified
- Rough Interior Surface Secures Wire
- Connectors are Water and Dust Tight when Engaged

(The above features are available only on SMS Connectors)



UNI-LOCK LEVER ACTION JUMPER ASSEMBLY

Lever Action Jumper Assembly Provides Both Old Style and New Style Connectors
Thus Eliminating Costly Change-Over from Brass Connector to New, All Rubber Connector.

STANDARD FEATURES

- Unique Molded Assembly - Maintenance Free
- Connectors are Water and Dust Tight when Engaged
- Engages Mechanically - Eliminates Couplers Seizing Together
- Two O-ring Seals in Manganese Bronze Casting
- All Rubber Connector - Will Not Go Out of Round
- Six-Fingered Female Contact Pin for Positive Contact with Male Pin
- The connectors and cable are CSA certified - The complete assembly is NOT certified

(The above features are available only on SMS Connectors)



8340 Series Uni-Lock Lever-Action Connectors

STANDARD FEATURES

- Available only on SMS Connectors
- Unique connector back and D-style pins prevent arcing
- Longer set screws prevent barrel fall-through
- All-rubber connector wall not go out-of-round
- Engages mechanically - eliminates couplers seizing together
- Single-barrel pilot pins with two set screws
- Two grommets with O-ring seals
- Six-fingered female contact pin for positive contact
- Connectors are water and dust tight when engaged



CSA
Certified
600 Volts
(SMS rated at 1,000 Volts)

APPLICATIONS

Mining

- Shuttle cars
- Cutting machines
- Distribution boxes
- Drills

Industry

- Large motors/test stands for checking motors
- Lockable hookup to large portable equipment
- Steel mills/power for locomotion equipment

Military

- Ship-to-shore power

Railroad

- Car-to-car power

Uni-Lock Lever-Action Connector

3 Power / 1 Ground: 1 or 2 Pilots: 1000V 4 RATED

Maximum Cable AWG	Connector Rating AMPS	Cable Attachment		Panel Mount		Color	Protective Caps	
		Male	Female	Male	Female		Male	Female
8	75	8343-501 or 2	8343-401 or 2	8343-1601 or 2	8343-1201 or 2	Blue	3325656-201	3325656-101
4	125	8344-501 or 2	8344-401 or 2	8344-201 or 2	8344-101 or 2	Red	3325656-401	3325656-301
2	160	8345-501 or 2	8345-601 or 2	8345-1501 or 2	8345-1001 or 2	Black	3325656-601	3325656-501
2/0	225	8346-201 or 2	8346-101 or 2	8346-1301 or 2	8346-801 or 2	Black	3325656-801	3325656-701
4/0	325	8347-201 or 2	8347-101 or 2	8347-1301 or 2	8347-801 or 2	Black	3325656-1001	3325656-901

Part No.	Maximum Cable AWG	Connector Rating		Description	Colors
		Volts	Amps		
8348-301	500MCM	1000	500	Male Cable Attachable	} Black / Blue Green / Orange Red / White Yellow
8348-201	500MCM	1000	500	Female Cable	
8348-1001	500MCM	1000	500	Male Panel Mount	
8348-701	500MCM	1000	500	Female Panel Mount	

8348 SERIES - SPECIAL MINES SERVICES RECOMMENDED RATINGS

Protective Caps: Part No.	Description
3325656-1201	Female Cap to fit a Male Connector
3325656-1101	Male Cap to fit a Female Connector
8348-8	Pilot Short Circuiting Cap - for Female Panel Mount

Select grommet that adapts I.D. of sleeve (supplied on plug) to O.D. of cable being used

When ordering grommets for Level-Action Connectors, identify the part prefix LA (e.g. 313305-1LA)

Identify grommets for SHD-GC 2kV cable highlighted below in red:

Connector Sleeve No.	O.D. Cable Range (no grommet)	O.D. Cable Range Grommet No.	O.D. Cable Range Grommet No.	O.D. Cable Range Grommet No.	O.D. Cable Range Grommet No.	O.D. Cable Range Grommet No.
8343 No. 325298	1.500 → 1.250	1.250 → 1.000 No. 313305-1	1.000 → .750 No. 313305-2	.750 → .562 No. 313305-3	-	-
8344 No. 325292	1.813 → 1.562	1.562 → 1.312 No. 313327-1	1.312 → 1.062 No. 313327-2	1.062 → .812 No. 313327-3	.812 → .625 No. 313327-4	-
8345 No. 325286	2.000 → 1.812	1.812 → 1.625 No. 324044-1	1.625 → 1.437 No. 324044-2	1.437 → 1.250 No. 324044-3	1.250 → 1.062 No. 324044-4	-
8346 No. 325245	2.375 → 2.125	2.125 → 1.937 No. 324153-1	1.937 → 1.750 No. 324153-2	1.750 → 1.562 No. 324153-3	1.562 → 1.375 No. 324153-4	-
8347 No. 325271	2.937 → 2.625	2.625 → 2.312 No. 324089-1	2.312 → 2.000 No. 324089-2	2.000 → 1.812 No. 324089-3	-	-
8348 No. 325305	3.281 → 3.000	3.000 → 2.812 No. 324024-4	2.812 → 2.625 No. 324024-5	2.625 → 2.531 No. 324024-6	2.531 → 2.312 No. 324024-2	2.312 → 2.125 No. 324024-3



Uni-Lock Lever-Action Connectors Parts List

Part No. (Large Carton) Description

LEVER ACTION CONNECTOR PARTS LIST	
8343-1994M	Clamps Male Set
8343-1994F	Clamps Female Set
8343-1995L	Handle Cable Mount Connector
8343-1995R	Handle Panel Mount Connector
8343-1996L	Draw Bar Cable Mount Connector
8343-1996R	Draw Bar Panel Mount Connector
8343-1997F	Female Recept. Eye Bolt
8343-1997M	Male Recept. Eye Bolt
4543S	Stainless 45 deg Box
8344-1994M	Clamps Male Set
8344-1994F	Clamps Female Set
8344-1995L	Handle Cable Inline Connector
8344-1995R	Handle Receptable
8344-1996L	Draw Bar Cable Inline Connector
8344-1996R	Draw Bar Receptable
8344-1997M	Male Recept. Eye Bolt
8344-1997F	Female Recept. Eye Bolt
4544S	Stainless 45 deg Box
8345-1994M	Clamps Male Set
8345-1994F	Clamps Female Set
8345-1995L	Handle Cable Inline Connector
8345-1995R	Handle Receptable
8345-1996L	Draw Bar Cable Inline Connector
8345-1996R	Draw Bar Receptable
8345-1997M	Male Recept. Eye Bolt
8345-1997F	Female Recept. Eye Bolt
4545S	Stainless 45 deg Box
8346-1994M	Clamps Male Set
8346-1994F	Clamps Female Set
8346-1995L	Handle Cable Inline Connector
8346-1995R	Handle Receptable
8346-1996L	Draw Bar Cable Inline Connector
8346-1996R	Draw Bar Receptable
8346-1997M	Male Recept. Eye Bolt
8346-1997F	Female Recept. Eye Bolt
4546S	Stainless 45 deg Box
8347-1994M	Clamps Male Set
8347-1994F	Clamps Female Set
8347-1995L	Handle Cable Inline Connector
8347-1995R	Handle Receptable
8347-1996L	Draw Bar Cable Inline Connector
8347-1996R	Draw Bar Receptable
8347-1997M	Male Recept. Eye Bolt
8347-1997F	Female Recept. Eye Bolt
8348-1994M	Clamps Male Set
8348-1994F	Clamps Female Set
8348-1995L	Handle Cable Inline Connector
8348-1995R	Handle Receptable
8348-1996L	Draw Bar Cable Inline Connector
8348-1996R	Draw Bar Receptable
8348-1997FCA	Female Cable Inline Eye Bolt
8348-1997FPM	Male Panel Mount Eye Bolt
8348-1997MPM	Female Panel Mount Eye Bolt
8348-1998FCA	Female Cable Attachment Wire Retainer
8348-1998FPM	Female Panel Mount Wire Retainer
H C	Hose Clamp

Part No. Description

CLEANING TOOLS	
43FCT	8343 Female Contacts
43FPCT	8343 Female Pilot Contacts
43MCT	8343 Male Contacts Length 3"
43MPCT	8343 Male Pilot Contacts
44FCT	8344 Female Contacts
44FPCT	8344 Female Pilot Contacts
44MCT	8344 Male Contacts Length 3"
44MPCT	8344 Male Pilot Contacts
45FCT	8345 Female Contacts
45FPCT	8345 Female Pilot Contacts
45MCT	8345 Male Contacts Length 3"
45MPCT	8345 Male Pilot Contacts
46FCT	8346 Female Contacts
46FPCT	8346 Female Pilot Contacts
46MCT	8346 Male Contacts Length 3"
46MPCT	8346 Male Pilot Contacts
BRASS MOUNTING SHELLS for Panel Mounts	
324059	Mounting Shell 8346 Female Panel Mount
324059LA	Mounting Shell 8346 Lever Action Female Panel Mount
324063	Mounting Shell 8344 Female Panel Mount
324063LA	Mounting Shell Lever Action 8344 Female Panel Mount
324063LAMAG	Mounting Shell Lever Action Mag30 Female Panel Mount
324065	8348 Female Mounting Shell
324065LA	8348 Lever Action Female Mounting Shell
324088	8343 Female Panel Mount Mounting Shell
324088LA	8343 Lever Action Female Mounting Shell
324093	Mounting Shell 8345 Female Panel Mount
324093LA	8345 Lever Action Female Mounting Shell
324094	8347 Mounting Shell Female Panel Mount
324094LA	8347 Lever Action Female Mounting Shell
324095	8347 Male Panel Mount Mounting Shell
324095LA	8347 Male Panel Mount Lever Action Mounting Shell
A324119	Mounting Shell 8345 Male Panel Mount
A324119LA	Mounting Shell Lever Action 8345 Male Panel Mount
A324166	Mounting Shell 8347 MPM
A324166LA	8347 Mounting Shell Lever Action
A324232	Mounting Shell 8346 MPM
A324232LA	8346 Mounting Shell Lever Action
A324289	Mounting Shell 8343 MPM
A324289LA	8343 Mounting Shell Lever Action
A324357	Mounting Shell 8344 MPM
A324357LA	Mounting Shell Lever Action 8344 MPM
A324357LAMAG	Mounting Shell Lever Action MAG30 MPM

Mag Series Electrical Connectors



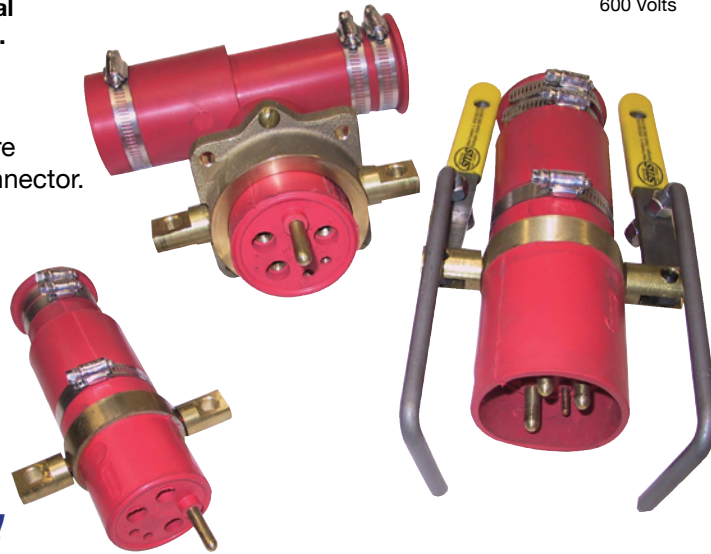
With pride we introduce a new series of electrical connectors to the mining and industrial markets.

FEATURES

Made of high-density rubber resulting in a more durable, longer lasting, and “user-friendly” connector. Amps designated by different colors.

Specifications

- 1000 volts
- 30/60/100 amps (color coded)
- Complete with two grommets
- 3 phase
- 1 ground
- 1 pilot



Virtually Indestructible!

Part No.	Cable	Amps	Description	Color	Protective Caps	
Mag30-1501	#8 3C/GGC	30	Female Panel Mount Insert	Blue	MAG30F-CAP MAG30M-CAP	
Mag30-1601	#8 3C/GGC	30	Male Panel Mount Insert			
Mag30-101	#8 3C/GGC	30	Female Panel Mount			
Mag30-201	#8 3C/GGC	30	Male Panel Mount			
Mag30-401	#8 3C/GGC	30	Female Cable Attachable		Red	MAG30F-CAP MAG30M-CAP
Mag30-501	#8 3C/GGC	30	Male Cable Attachable			
Mag60-1501	#4 3C/GGC	60	Female Panel Mount Insert			
Mag60-1601	#4 3C/GGC	60	Male Panel Mount Insert			
Mag60-101	#4 3C/GGC	60	Female Panel Mount		Red	MAG60F-CAP MAG60M-CAP
Mag60-201	#4 3C/GGC	60	Male Panel Mount			
Mag60-401	#4 3C/GGC	60	Female Cable Attachable			
Mag60-501	#4 3C/GGC	60	Male Cable Attachable			
Mag100-1501	#1 3C/GGC	100	Female Panel Mount Insert	Black	MAG100F-CAP MAG100M-CAP	
Mag100-1601	#1 3C/GGC	100	Male Panel Mount Insert			
Mag100-101	#1 3C/GGC	100	Female Panel Mount			
Mag100-201	#1 3C/GGC	100	Male Panel Mount			
Mag100-401	#1 3C/GGC	100	Female Cable Attachable		Black	MAG100F-CAP MAG100M-CAP
Mag100-501	#1 3C/GGC	100	Male Cable Attachable			

MAG Grommets For SHD-GC 2kV Cable

Mag Connector	#4 SHD-GC Grommet	#6 SHD-GC Grommet
MAG60-401	MAG-60G-4S	-
MAG60-501	MAG-60G-4S	-
MAG100-401	MAG-60G-4S	-
MAG100-501	MAG-60G-4S	-
MAG30-401	MAG-60G-4S	MAG-60G
MAG30-501	MAG-60G-4S	MAG-60G
MAG60-401	-	MAG-60G
MAG60-501	-	MAG-60G
MAG100-401	-	MAG-60G
MAG100-501	-	MAG-60G

Lever Action Jumper Assembly

Lever action jumper assembly provides both old style and new style connectors thus eliminating costly change-over from brass connector to new, all-rubber connector.

Standard Features

- **Unique molded assembly** - free of maintenance
- Connectors are water - and dust-tight when engaged
- Engages mechanically - eliminates couplers seizing together
- Manganese bronze connector provides immediate connect
- Two O-ring seals in manganese bronze casting
- All rubber connector - will not go out of round
- Six-fingered female contact pin for positive contact with male pin
- The connectors and cable are CSA certified - The complete assembly is NOT certified



(The above features are available only on SMS Connectors)

PART NUMBERS

Maximum Cable AWG	Connector Rating (600V) AMP	Unilock/Quicklock Male Series (old style)	SMS Jumper Assembly (connects)	Lever Action Female Series (new style)
8	75	8343-5M or 16M	← A43-FM →	8343-401F or 1201F
4	125	8344-5M or 2M	← A44-FM →	8344-401F or 101F
2	160	8345-5M or 15M	← A45-FM →	8345-601F or 1001F
2/0	225	8346-2M or 13M	← A46-FM →	8346-101F or 801F
4/0	325	8347-2M or 13M	← A47-FM →	8347-101F or 801F
400MCM	500	8348-3M or 10M	← A48-FM →	8348-201F or 701F
Maximum Cable AWG	Connector Rating (600V) AMP	Unilock/Quicklock Feale Series (old style)	SMS Jumper Assembly (connects)	Lever Action Male Series (new style)
8	75	8343-4F or 12F	← A43-MF →	8343-501M or 1601M
4	125	8344-4F or 1F	← A44-MF →	8344-501M or 201M
2	160	8345-6F or 10F	← A45-MF →	8345-501F or 1501M
2/0	225	8346-1F or 8F	← A46-MF →	8346-201M or 1301M
4/0	325	8347-1F or 8F	← A47-MF →	8347-201M or 1301M
500MCM	500	8348-1F or 7F	← A48-MF →	8348-301M or 1001M



Products for the Mining, Tunneling, and Industrial Markets

Electrical Products

Cable Hangers
J-Hooks
Cable Cutters (H.K. Porter)
Cable Fault Locator and Tracers
High Voltage Gloves
Testing Plugs and Plug Repair
Cable Grips (Kellems)
Trolley Hardware (Phoenix)
Ground Check and Fault Monitors:
(AMR/Pemco/MCI)
String-A-Lights
Tie Wire
Belt Monitoring (Ensign/AMR)
Belt Switches (Conkie/Hawkeye)
Limit Switches (Cutter-Hammer)
Lighting Systems (SMC)
Coax Connectors
Vacuum Load Break Switches (SMC)
Connectors:
Woodhead/Burndy/T&B/3M/Amp/
Panduit
Low Voltage Connectors:
MCI/SMS Uni-Lock/P.D.P./Ensign
Victor

Electrical Cable

Bare Copper and Aluminum
Trolley Wire
Blasting Wire and Shot
S.O. Cords
Bore Hole Cable
Armoured Cable
Monitor and Sensor Cables
Computer Cables
Shuttle Car
Continuous Miner Cable
Shovel Cable
Pump Cable
Remote Drill Cord
Jumper Cable
Welding Cable
Loaders-Cutters-Drills
Locomotive Cable
Longwall Cable
Military Specifications
Mine Power Feeder
Traffic Signal
Communication
Building Wire
Portable Control Cables
Power Cable

Electrical Cable Manufacturers

BICC Cablec
Larabee Powerflex
Essex
Royal
Carol
A.I.W.
General
Prestolite
Service Wire

Cable Services

High and Low Voltage Reconditioned
Coupler Installation
Molded Pot Heads
Stress Cones
Jacket Patches
Reinsulation
Railbonds
Cable Splicing

Splice Kits

Plymouth
AMP
3M
RMS
MPI
RAYCHEM

Cable Repair Supplies

Plymouth - Tapes/Shielding Braid
Okonite - Tape/Splicing Cement
3M - Tape/Braid/Lugs
Rice Shielding Braid
Cable Jigs
Molds
Vulcanizers

Other Fine Products And Services

Exide Batteries
Douglas Batteries
Sounding Rods
Mine Sealant
Mine Ventilation Products
Mine Battery Repair
Battery Chargers
Pumps
Cable Guards

Uni-Lock Lever-Action Protective Caps, Panel Mounts & 45° Mounts



Male
 Female
 For Female with SSTB
 For Male
 For Female
 Pilot Shorting
 45°

Pro caps with Stainless Steel Turn Buckles, ADD SSTB to the part number indicated

Protective Caps		Panel Mounts		Panel Mount Shells		Panel Mount Inserts		45° Mount
Male	Female	Male	Female	Male	Female	Male	Female	

3 Power and 1 Ground with single pilot contact

3325656-201	3325656-101	8343-1601	8343-1201	A-324289LA	324088LA	8343-601	8343-101	4543
3325656-401	3325656-301	8344-201	8344-101	A-324063LA	324063LA	8344-1601	8344-1501	4544
3325656-601	3325656-501	8345-1501	8345-1001	A-324119LA	324093LA	8345-201	8345-101	4545
3325656-801	3325656-701	8346-1301	8346-801	A-324232LA	324059LA	8346-1601	8346-1501	4546
3325656-1001	3325656-901	8347-1301	8347-801	A-324166LA	324094LA	8347-1601	8347-1501	N/A
3325656-1201	3325656-1101	8348-1001	8348-701	324095LA	324065LA	8348-401	8348-501	N/A

3 Power and 1 Ground with 2 pilot contacts

3325656-201	3325656-101	8343-1602	8343-1202	A-324289LA	324088LA	8343-602	8343-102	4543
3325656-401	3325656-301	8344-202	8344-102	A-324063LA	324063LA	8344-1602	8344-1502	4544
3325656-601	3325656-501	8345-1502	8345-1002	A-324119LA	324093LA	8345-202	8345-1502	4545
3325656-801	3325656-701	8346-1302	8346-802	A-324232LA	324059LA	8346-1602	8346-1502	4546
3325656-1001	3325656-901	8347-1306	8347-802	A-324166LA	324094LA	8347-1602	8347-1502	N/A
3325656-1201	3325656-1101	8348-1002	8348-702	324095LA	324065LA	8348-402	8348-502	N/A

3 Power and 1 Ground with 3 pilot contacts

3325656-201	3325656-101	8343-1603	8343-1203	A-324289LA	324088LA	8343-603	8343-103	4543
3325656-401	3325656-301	8344-203	8344-103	A-324063LA	324063LA	8344-1603	8344-1503	4544
3325656-601	3325656-501	8345-1503	8345-1003	A-324119LA	324093LA	8345-203	8345-103	4545
3325656-801	3325656-701	8346-1303	8346-803	A-324232LA	324059LA	8346-1603	8346-1503	4546
3325656-1001	3325656-901	8347-1303	8347-803	A-324166LA	324094LA	8347-1603	8347-1503	N/A
3325656-1201	3325656-1101	8348-1003	8348-703	324095LA	324065LA	8348-403	8348-503	N/A

Cap-Mag-30-60-100

	Protective Caps
Mag30F-Cap-Blue	Caps for Female Mag30 connectors
Mag30M-Cap-Blue	Caps for Male Mag30 connectors
Mag60F-Cap-Red	Caps for Female Mag60 connectors
Mag60M-Cap-Red	Caps for Male Mag60 connectors
Mag100F-Cap-Black	Caps for Female Mag100 connectors
Mag100M-Cap-Black	Caps for Male Mag100 connectors

These are connector ratings only. Operating ratings must be based on cable capacity.

Uni-Lock Connectors 3/4 Turn Lock



STANDARD FEATURES

- Attachable to customer's cable
- Available with/without pilot pins
- Full line of plugs and receptacles
- All parts thoroughly insulated and/or grounded
- Lockable against accidental disconnect
- Water-tight
- Meet mine Health and Safety Standards

PARAMETERS

- Three or four pins with/without pilot contacts
- Number 8 through 500 MCM
- Up to 500 volts/500 amps

APPLICATIONS

MINING

- Shuttle Cars
- Cutting Machines
- Drills
- Distribution boxes

INDUSTRY

- Large motors-test stands for checking motors
- Locable hookup for large portable equipment
- Steel Mills-provide power for locomotion equipment

MILITARY

- Provide ship-to-shore power

RAILROAD

- Carry power from car-to-car



Male
Panel Mount



Female
Panel Mount



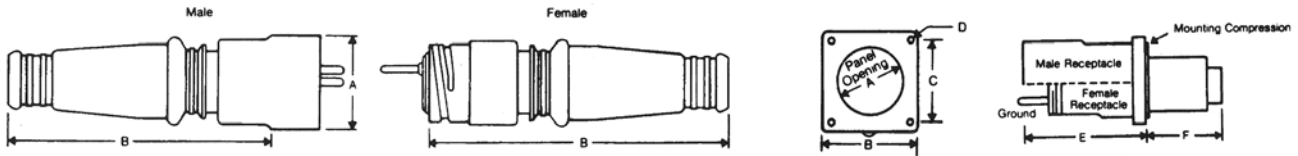
Male
Cable Attachable



Female
Cable Attachable



Uni-Lock Connectors



Max. Cable AWG	Connector Rating (750V) AMP	Cable Attachment		Dimensions		Panel Mount		Dimensions					
		Male	Female	A	B	Male	Female	A	B	C	D	E	F

2 Power and 1 Ground with pilot contacts

8	75	8329-2	8329-1	3 5/8	11 11/16	8329-15	8329-10	2 3/8	3 3/8	2 3/4	9/32	5	4
4	125	8330-3	8330-4	3 5/8	11 13/16	8330-16	8330-12	2 3/8	3 3/8	2 3/4	9/32	5	4
2	160	8331-1	8331-4	3 5/8	13 1/16	8331-15	8331-11	2 5/8	3 5/8	2 7/8	9/32	5	4 1/2
2/0	225	8332-1	8332-8	4 1/16	14 1/16	8332-16	8332-13	2 15/16	4	3 5/16	9/32	5 1/8	4 15/16
4/0	325	8333-4	8333-3	4 5/8	13 15/16	8333-15	8333-1	3 3/8	4 1/2	3 9/16	11/32	5 5/16	5 1/16

3 Power and 1 Ground with no pilot contacts

8	75	8336-3	8336-2	3 5/8	11 13/16	8336-13	8336-8	2 3/8	3 3/8	2 3/4	9/32	5	4
4	125	8337-3	8337-4	3 5/8	11 13/16	8337-14	8337-11	2 3/8	3 3/8	2 3/4	9/32	5	4
2	160	8338-2	8338-3	3 7/8	13 1/16	8338-13	8338-8	2 5/8	3 5/8	2 7/8	9/32	5	4 1/2
2/0	225	8339-1	8339-2	4 1/16	14 1/16	8339-13	8339-3	2 15/16	4	3 5/16	9/32	5 1/8	4 15/16
4/0	325	8340-5	8340-4	4 5/8	13 13/16	8340-2	8340-10	3 3/8	4 1/2	3 9/16	11/32	5 5/15	5 1/16
300MCM	425	8341-2	8341-1	6	19 7/16	8341-13	8341-9	4 1/2	6	4 13/16	13/32	6 1/4	6

3 Power and 1 Ground with 2 pilot contacts

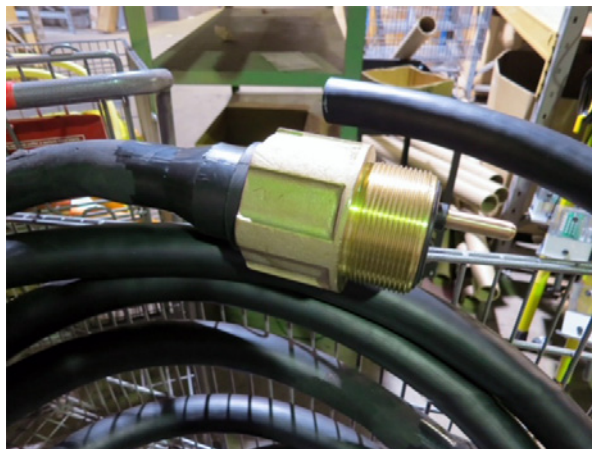
8	75	8343-5	8343-4	3 5/8	11 13/16	8343-16	8343-12	2 3/8	3 3/8	2 3/4	9/32	5	4
4	125	8344-5	8344-4	3 7/8	13	8344-2	8344-1	2 3/8	3 5/8	2 7/8	9/32	5	4 1/2
2	160	8345-5	8345-6	4 3/16	14 1/16	8345-15	8345-10	2 15/16	4	3 5/16	9/32	5 1/8	4 15/16
2/0	225	8346-2	8346-1	4 5/8	13 13/16	8346-13	8346-8	3 3/8	4 1/2	3 9/16	11/32	5 5/16	5 1/16
4/0	325	8347-2	8347-1	6	19 9/16	8347-13	8347-8	4 1/2	6	4 13/16	13/32	6 1/4	6
400MCM	500	8348-3	8348-2	6 3/4	22 3/8	8348-10	8348-7	5	7 1/4	5 7/8	17/32	8 5/8	6 1/2

These are connector ratings only. Operating ratings must be based on cable capacity.

Uni-Lock Protective Caps & Panel Mounts



Protective Cap		Panel Mount Shells		Panel Mount Inserts		Pilot Short Circuiting Cap For Female Receptacle
Male	Female	Male	Female	Male	Female	
2 power and 1 ground with pilot contacts						
3325656-2	3325656-1	A-324289	324088	8329-4	8329-5	8329-3
3325656-2	3325656-1	A-324289	324088	8330-5	8330-6	8330-7
3325656-4	3325656-3	A-324289	324063	8331-5	8331-3	8331-6
3325656-6	3325656-5	A-324119	324093	8332-7	8332-5	8332-9
3325656-8	3325656-7	A-324232	324088	8333-6	8333-5	8333-12
3325656-10	3325656-9	A-324166	324094	8334-3	8334-4	8334-5
3325656-12	3325656-11	A-324095	324065	8355-11	8355-10	8335-6
3 power and 1 ground with no pilot contacts						
3325656-2	3325656-1	A-324289	324088	8336-4	8336-1	-
3325656-2	3325656-1	A-324289	324088	8337-6	8337-7	-
3325656-4	3325656-3	A-324289	324063	8338-4	8338-1	-
3325656-6	3325656-5	A-324119	324093	8339-6	8339-5	-
3325656-8	3325656-7	A-324232	324088	8340-3	8340-6	-
3325656-10	3325656-9	A-324166	324094	8341-3	8341-4	-
3 conductor and 1 ground with 2 pilot contacts						
3325656-2	3325656-1	A-324289	324088	8343-6	8343-1	8343-7
3325656-4	3325656-3	A-324357	324063	8344-16	8344-15	8344-6
3325656-6	3325656-5	A-324119	324093	8345-2	8345-1	8345-3
3325656-8	3325656-7	A-324232	324059	8346-16	8346-15	8346-3
3325656-10	3325656-9	A-324116	324094	8347-16	8347-15	8347-3
3325656-12	3325656-11	324095	324065	8348-4	8348-5	8348-8



Uni-Lock Connectors • Grommets / Sleeves



SLEEVES & GROMMETS

Listed below are the Sleeve and Grommet Part Numbers which are supplied with each Plug.

Plug	Sleeve	Grommet #1	Grommet #2	Grommet #3	Plug	Sleeve	Grommet #1	Grommet #2	Grommet #3
8323	325298	313305-1	313305-2	313305-5	8336	325298	313305-2	-	-
8324	325298	313305-1	313305-2	313305-5	8337	325298	313305-1	313305-2	-
8325	325292	313327-1	313327-2	313327-7	8338	325292	313327-1	313327-2	-
8326	325245	324153-1	324153-2	324153-6	8339	325286	324044-1	324044-2	-
8327	325271	324089-1	324089-2	-	8340	325245	324153-1	324153-2	-
8329	325298	313305-2	-	-	8341	325271	313089-1	313089-2	-
8330	325298	313305-1	313305-2	313305-5	8343	325298	313305-2	-	-
8331	325292	313327-2	313327-3	313327-6	8344	325292	313327-2	313327-3	-
8332	325286	324044-1	324044-2	324044-5	8345	325286	324044-3	324044-4	-
8333	325245	324153-1	324153-2	324153-6	8346	325245	324153-2	324153-3	-
8334	325271	324089-1	324089-2	-	8347	325271	324089-2	324089-3	-
8335	325305	324024-4	324024-5	-	8348	325305	324024-4	324024-5	-

FOR ROUND CABLE

Select Grommet that adapts I.D. of sleeve (supplied on plug) to O.D. of cable being used.

Sleeve Part Number	Fits Cable (w/o Grommet)		Extension Range Of "Adaptor Grommets" For Sleeves Listed At Left									
	From	To	Grommet Number	Range	Grommet Number	Range	Grommet Number	Range	Grommet Number	Range	Grommet Number	Range
325298	1.500	1.250	313305-1	1.250 1.000	313305-2	1.000 .750	313305-3	.750 .562	-	-	-	-
325292	1.813	1.562	313327-1	1.562 1.312	313327-2	1.312 1.062	313327-3	1.062 .812	313327-4	.812 .625	-	-
325286	2.000	1.812	324044-1	1.812 1.625	324044-2	1.625 1.437	324044-3	1.437 1.250	324044-4	1.250 1.062	-	-
325245	2.375	2.125	324153-1	2.125 1.937	324153-2	1.937 1.750	324153-3	1.750 1.562	324153-4	1.562 1.375	-	-
325271	2.937	2.625	324089-1	2.625 2.312	324089-2	2.312 2.000	324089-3	2.000 1.812	-	-	-	-
325305	3.281	3.000	324024-4	3.000 2.812	324024-5	2.812 2.625	324024-6	2.625 2.531	324024-2	2.531 2.312	324024-3	2.312 2.125

FOR TWIN & TWIN "G" CABLE

Select Grommet that adapts I.D. of sleeve (supplied on plug) to O.D. of cable being used.

(**) Wire Size	#8	#6	#4	#3	#2	#1	#1/0	#2/0	#3/0	#4/0									
Cable Dimensions	.51 x .84	.51 x .92	.56 x .93	.56 x 1.02	.61 x 1.05	.61 x 1.15	.68 x 1.14	.68 x 1.26	.73 x 1.24	.73 x 1.35	.81 x 1.40	.81 x 1.55	.93 x 1.51	.93 x 1.67	.99 x 1.85	1.03 x 1.77	1.03 x 2.00	1.10 x 1.89	1.10 x 2.10
Sleeve	Part Nos. On Grommets																		
325298	313305-4			313305-5															
325292					313327-6		313327-7												
325286									324044-5										
325245									324153-5		324153-6								

(**) Major and minor axis of "Twin W" and "Twin G" type cables.

Round Connectors

STANDARD FEATURES

- Wide Range of Styles
- Various Type of Polarization
- Can be Supplied with any Cable Length
- Easy to Handle and Install
- Will Not Distort or Shatter
- Full Line of Plugs and Receptacles
- Non-interchangeable outside of its own series
- Easy Connectin and Disconnection
- Spring-loaded Covered Receptacles

PARAMETERS

- Number 18 through 4/0 AWG
- Up to 5000 volts/235 amps

APPLICATIONS

LIGHTING OPERATIONS

- Camera Equipment, Monitoring Equipment
- Lighting on Cranes and Shovels, etc.
- Lighting, Industrial Buildings
- Studio Lighting
- Railroad Car Connectors
- Military Vehicles

INDUSTRIAL

- Mining Machinery - Used for Control Circuitry on Power Centres and Distribution Boxes
- Mining - Control Circuits on Distribution Panels
- Barges - Ballast Controls
- Post Office Sorting Machines
- Run-Out Tables - Steel Mills and Foundries
- Small Boiler Equipment
- Pumps & Paper Mills

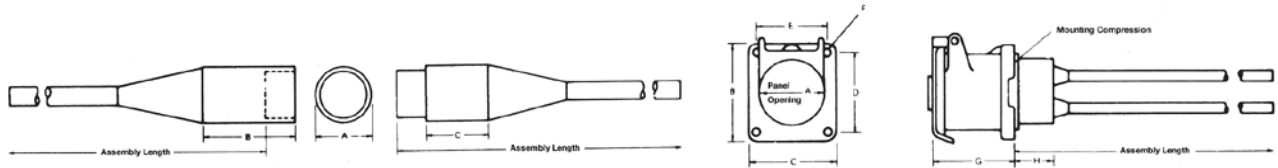


Cable Size	Amp Rating	Lead Length	Male	Female	Male Chainlock	Female Chainlock
Single Conductor Connectors (600 VOLT)						
10	25	15	8000-1	8000-2	8000-7	8000-6
8	45	15	8001-1	8001-2	8001-11	8001-6
6	60	15	8002-1	8002-2	8002-3	8002-4
2	95	15	8003-1	8003-2	8003-14	8003-9
2	110	18	8004-3	8004-4	8004-1	8004-2
1	130	18	8005-2	8005-1	8005-11	8005-5
2/0	175	18	8006-1	8006-2	8006-17	8006-6
4/0	235	18	8007-2	8007-1	8007-14	8007-11

5KV and 8KV connectors available on request.

These are connector ratings only. Operating ratings must be based on cable capacity.

Round Connectors



DATA

PLUG

RECEPTACLE

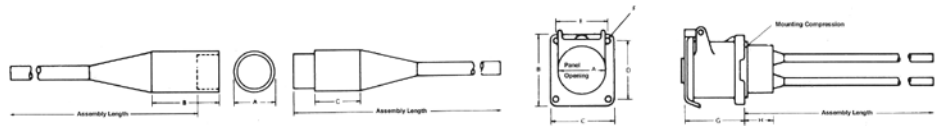
No. of Cont.	ELECTRICAL DATA					Description		PART NUMBERS		Assembly Length	DIMENSIONS (Approx. Inches)			PART NUMBERS				Assembly Length	DIMENSIONS (Approx. Inches)								
	#8	#8	Polarized By	Type of Seal	Male	Female	Without Covers		With Covers		A	B	C	Male	Female	Male	Female		A	B	C	D	E	F	G	H	
							AWG	TYPE	AMP																		VOLTS
2	12	SO	20	600	Pin Size	Female Shroud	8437-33 8437-50	8437-32 8437-51	28" 10"	1 1/4	2 5/8	3 1/4	-	-	-	-	-	-	-	-	-	-	-	-	-	-	-
	3	14	SO	15	600	Pin Size	Full Male Shroud	8108-3 8108-107	8108-1 8108-109	28" 10"	1 1/4	2 3/16	1 5/8	-	-	-	-	-	-	-	-	-	-	-	-	-	
3	12	SO	20	600	Central Key	Full Male Shroud	8118-1 8118-63	8118-4 8118-65	28" 10"	1 5/8	2 3/4	2	-	-	8118-11	8118-22	14"	1 3/4	2 1/2	2 1/4	2	1 3/4	7/32	2 3/16	1		

These are connector ratings only. Operating ratings must be based on cable capacity.

2
POLE

3
POLE

Round Connectors



DATA

PLUG

RECEPTACLE

No. of Cont.	ELECTRICAL DATA				Description		PART NUMBERS		Assembly Length	DIMENSIONS (Approx. Inches)			PART NUMBERS				Assembly Length	DIMENSIONS (Approx. Inches)							
	#8	#8	AMP	VOLTS	Polarized By	Type of Seal	Male	Female		Without Covers			With Covers		A	B		C	D	E	F	G	H		
										AWG	TYPE	Male	Female	Male										Female	
4	12	SO	16	600	Pin Size	Fem. Shroud	8510-1 8510-99	8510-2 8510-101	28" 10"	1 5/8	1 15/16	2 7/8	-	-	8510-15	8510-12	14"	1 3/4	2 1/2	2 1/4	2	1 3/4	7/32	2 3/16	1 3/16
4	12	SO	16	600	Central Key	Full Male Shroud	8121-25 8121-32 8121-74	8121-24 8121-31 8121-76	28" 6" 10"	1 5/8	2 3/4	1 3/4	-	-	8121-11	8121-7	14"	1 3/4	2 1/2	2 1/4	2	1 3/4	7/32	2 3/16	5/8
4	2	W	75	600	Pin Size	Full Male Shroud	8728-4 8728-20	8728-3 8728-22	24" 10"	2 7/8	6 1/2	4	-	-	8728-24	8728-26	20"	2 15/16	4	4	3 1/8	3 1/8	3/8	4 1/4	1 7/16
4	2	W	75	600	Pilots (Short)	Full Male Shroud	8131-22* 8131-36	8131-21* 8131-39	30" 30"	2 7/8	6 1/2	4	-	-	-	-	-	-	-	-	-	-	-	-	-
4	4/0	SO	100 180	600	Pilots	Full Male Shroud	X1806-71	X1806-70	Field Attach	4 3/8	13	4 7/16	-	-	1806-110 (1/0 AWG) 1806-387 1806-331 (4/0 AWG)	1806-91	20" 24"	3 3/8 3 3/8	4 1/2 4 1/2	4 1/2 4 1/2	3 1/2 3 1/2	3 1/2 3 1/2	7/16 7/16	4 5/8 4 5/8	1 13/16 1 13/16

* Type PCG Cable-Pilots carried through
 These are connector ratings only. Operating ratings must be based on cable capacity

4 POLE

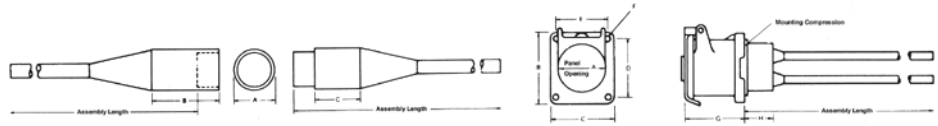
5 POLE

6 POLE

No. of Cont.	ELECTRICAL DATA				Description		PART NUMBERS		Assembly Length	DIMENSIONS (Approximate Inches)			PART NUMBERS				Assembly Length	DIMENSIONS (Approx. Inches)							
	#8	#8	AMP	VOLTS	Polarized By	Type of Seal	Male	Female		Without Covers			With Covers		A	B		C	D	E	F	G	H		
										AWG	TYPE	Male	Female	Male										Female	
5	12	SO	16	600	Central Key	Full Male Shroud	8125-3 8125-44	8125-6 8125-72	28" 10"	1 5/8	2 3/4	1 3/4	-	-	-	-	-	-	-	-	-	-	-	-	-
6	12	SO	16	600	Central Key	Full Male Shroud	8127-12 8127-84	8127-9 8127-79	28" 10"	1 5/8	2 3/4	1 3/4	-	-	8127-6	8127-7	14"	1 3/4	2 1/2	2 1/4	2	1 3/4	7/32	2 3/16	5/8

* Type PCG Cable-Pilots carried through
 These are connector ratings only. Operating ratings must be based on cable capacity

Round Connectors



DATA

PLUG

RECEPTACLE

8 POLE

9 POLE

10 POLE

12 POLE

16 POLE

No. of Cont.	ELECTRICAL DATA					Description		PART NUMBERS		Assembly Length	DIMENSIONS (Approx. Inches)			PART NUMBERS				Assembly Length	DIMENSIONS (Approx. Inches)							
	#8	#8	#8	#8	#8	Polarized By	Type of Seal	Male	Female		Without Covers		With Covers		A	B	C		D	E	F	G	H			
											AMV	TYPE	AMP	VOLTS										Male	Female	Male
8	10	SO	18	600	Central Key	Fem. Shroud	8094-8 8094-63	8094-10 8094-65	28" 10'	2 3/8	3 1/16	4 7/16	-	-	8094-6	8094-4	14"	2 3/8	3 1/4	3 1/4	2 5/8	2 5/8	9/32	2 1/2	1	
9	10	Control	18	600	Pin Size	Fem. Shroud	8091-15 8091-31	8091-14 8091-33	28" 10'	2 3/8	1 11/16	3 1/8	-	-	8091-19	8091-18	14"	2 3/8	3 1/4	3 1/4	2 5/8	2 5/8	9/32	2 1/2	1	
10	10	Control	15	600	Central Key	Fem. Shroud	8097-13 8097-74	8097-12 8097-76	28" 10'	2 3/8	2 15/16	4 7/16	-	-	8097-17	8097-16	14"	2 3/8	3 1/4	3 1/4	2 5/8	2 5/8	9/32	2 1/2	1	
12	12	Control	20	600	Central Key	Fem. Shroud	-	8402-31 8402-2 8402-32	28" 6' 10'	2 3/8	-	4	-	-	8402-14	8402-13	14"	2 3/8	3 1/4	3 1/4	2 5/8	2 5/8	9/32	2 1/2	1/2	
12	10	Control	15	600	Central Key	Fem. Shroud	8101-12 8101-127	8101-27 8101-129	28" 10'	2 3/8	1 5/8	3 1/8	-	-	8101-28	8101-11	14"	2 3/8	3 1/4	3 1/4	2 5/8	2 5/8	9/32	2 1/2	3/4	
16	12	Control	10	600	Central Key	Fem. Shroud	8431-29 8431-115	8431-8 8431-117	30" 6'	3	2 29/32	3	-	-	8431-12	8431-12	20"	2 3/8	3 1/4	3 1/4	2 5/8	2 5/8	9/32	2 1/2	1/2	

These are connector ratings only. Operating ratings must be based on cable capacity.

Oval Connectors For Mining, Tunneling and Industry

STANDARD FEATURES

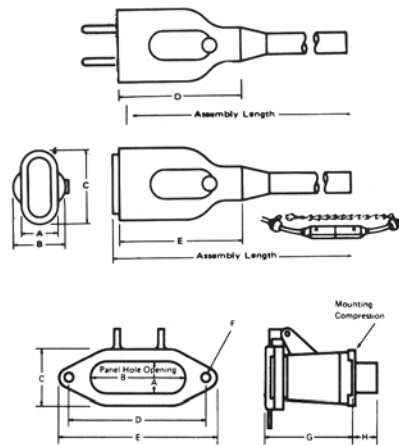
- Water-Tight
- Various Types of Polarization (pin size, reverse ground, pin configuration)
- Various Types of Seal (face seal)
- Wide Range of Size and Styles
- Full Line of Covered Receptacles

PARAMETERS

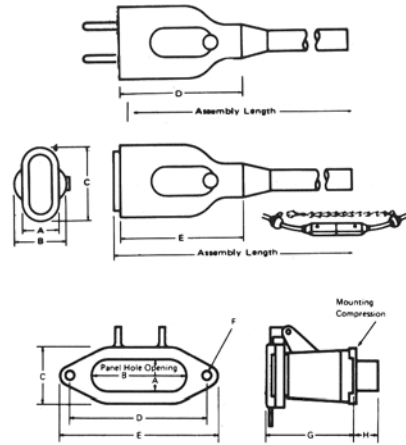
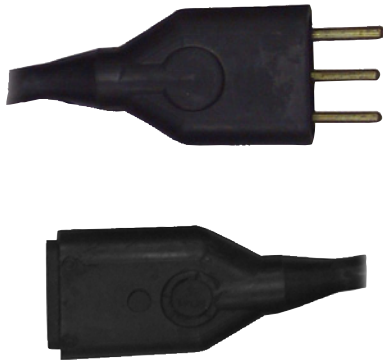
- Two through five contacts
- Number 14 AWG through 2/0 AWG
- Up to 600 volts/95 amps

APPLICATIONS

- Electromagnets
- Steel Mills
- Electromagnet Manufacturers
- Low Voltage Lighting
- Crane Manufacturers
- Shipbuilders
- Contractors
- Run Out Tables
- Motor Connections
- Railroads - Communication Systems
- Mining Applications
- Power Distribution Box Manufacturers



Oval Connectors TWO POLE



DATA

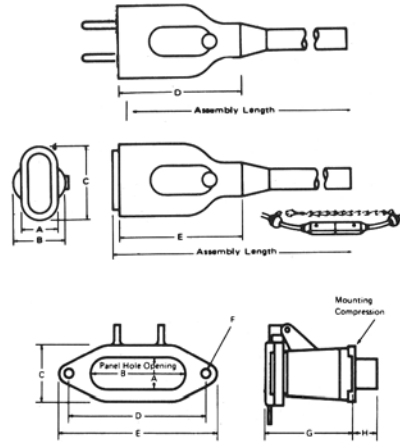
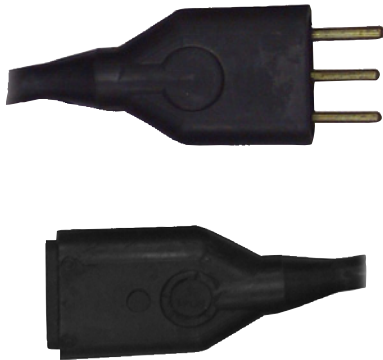
PLUG

RECEPTACLE

No. of Cont.	ELECTRICAL DATA				Description		PART NUMBERS				Assembly Length	DIMENSIONS (Approximate Inches)					PART NUMBERS		DIMENSIONS (Approximate Inches)								
	Cable AWG	Cable TYPE	Max. Cable Rating AMP	Max. Cable Rating VOLTS	Polarized By	Type of Seal	Without Safety Chain		With Safety Chain			With Covers		DIMENSIONS (Approximate Inches)													
							Male	Female	Male	Female		Male	Female	A	B	C	D	E	F	G	H						
2	14	SO	15	600	Pin Size	Short Male Shroud	8020-3	8020-4	8020-8 8020-134	8020-9 8020-136	16" 10'	7/8	1 1/4	1 3/4	3 1/8	3 1/16	8020-38	8020-34	Term. Back	7/8	1 3/4	1 5/8	3	3 5/8	9/32	2 1/2	3/4
2	14	SO	15	600	Not Pol.	Short Male Shroud	8015-1 8015-135	8015-5	8015-20	8015-21	16" 6'	7/8	1 1/4	1 3/4	3 1/8	3 1/16	8015-32	8015-33	Term. Back	7/8	1 3/4	1 5/8	3	3 5/8	9/32	2 1/2	3/4
2	12	SO	20	600	Pin Size	Short Male Shroud	8021-2	8021-3	8021-122	8021-124	16" 10'	1	1 1/2	2 1/8	4 1/8	4 3/8	8021-32	8021-31	Term. Back	1	2 1/8	1 3/4	3 3/8	4	9/32	3 3/8	5/8
2	10	SO	25	600	Not Pol.	Short Male Shroud	8016-16	8016-17	8016-23 8016-126	8016-6 8016-128	16" 10'	1	1 1/2	2 1/8	4 1/8	4 3/8	8016-44	8016-43	Term. Back	1	2 1/8	1 3/4	3 3/8	4	9/32	3 3/8	5/8
2	6	W	50	600	Pin Size	Short Male Shroud	8024-6	8024-7	8024-5	8024-4	24"	1 1/4	1 3/4	2 5/8	5 1/4	5 7/8	-	-	-	-	-	-	-	-	-	-	-
2	6	W	50	600	Not Pol.	Short Male Shroud	8017-17 8017-143	8017-18 X8017-144	8017-8 8017-142	8017-3 8017-145	24" 10'	1 1/8	1 1/2	2 1/2	4 7/16	4 7/8	8017-27	8017-28	Term. Back	1 1/8	2 1/2	1 3/4	3 7/8	4 5/8	9/32	3 7/8	1 1/16
2	2	W	95	600	Pin Size	Short Male Shroud	8026-26 8026-93	8026-45 8026-95	8026-45 8026-97	8026-2 8026-99	24" 10'	1 3/8	1 7/8	2 7/8	5 1/4	6 1/4	-	-	-	-	-	-	-	-	-	-	-
2	2	W	95	600	Not Pol.	Short Male Shroud	8018-9	8018-10	8018-19 8018-117	8018-20 8018-119	24" 6'	1 1/4	1 3/4	2 5/8	5 1/8	5 7/8	-	-	-	-	-	-	-	-	-	-	-
2	2	W	95	600	Not Pol.	Short Male Shroud	8019-2	8019-13	8019-16 8019-96	8019-3 8019-98	24" 6'	1 3/8	1 7/8	2 7/8	5 1/4	6 1/4	8019-27	8019-28	Term. Back	1 5/8	3 1/8	2 3/8	5	6	3/8	5 7/16	1 3/8

These are connector ratings only. Operating ratings must be based on cable capacity.

Oval Connectors THREE POLE



DATA

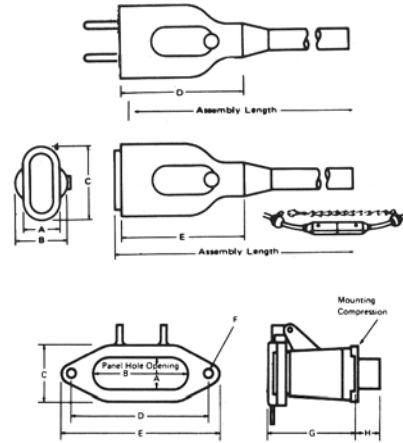
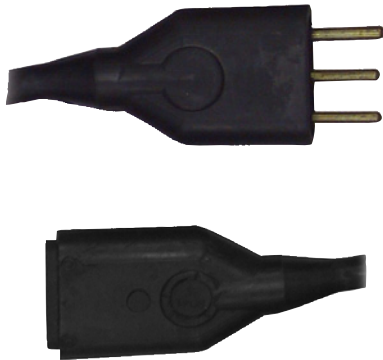
PLUG

RECEPTACLE

No. of Cont.	ELECTRICAL DATA				Description		PART NUMBERS				Assembly Length	DIMENSIONS (Approximate Inches)					PART NUMBERS		DIMENSIONS (Approximate Inches)								
	Cable AWG	Cable TYPE	Max. Cable Rating AMP	Max. Cable Rating VOLTS	Polarized By	Type of Seal	Without Safety Chain		With Safety Chain			A	B	C	D	E	With Covers		A	B	C	D	E	F	G	H	
							Male	Female	Male	Female							Male	Female									
3	14	SO	15	600	Pin Size	Short Male Shroud	8041-2	8041-3	8041-11 8041-164	8041-12 8041-166	16" 6"	7/8	1 1/8	2 1/8	2 13/16	3 1/8	8041-56	8041-55	Term. Back	1	2 1/8	1 3/4	3 3/8	4	9/32	3 3/8	5/16
3	14	SO	15	600	Not Pol.	Short Male Shroud	8036-5 8036-109	8026-13 8036-111			16" 6"	7/8	1 1/8	2 1/8	2 13/16	3 1/8	8036-38	8036-37	Term. Back	1	2 1/8	1 3/4	3 3/8	4	9/32	3 3/8	5/8
3	12	SO	20	600	Pin Size	Short Male Shroud	8042-3 8042-82	8042-5 8042-83	8042-95	8042-96	16" 6"	1	1 3/8	2 3/4	4	4 3/8	8042-8	8042-25	Term. Back	1	2 3/4	1 5/8	4	4 5/8	9/32	3 3/16	13/16
3	12	SO	20	600	Pin Size	Full Male Shroud	8053-20	8053-21	8053-14	8053-12	16"	1 3/8	1 3/8	2 7/8	4 5/16	2 3/8	-	-	-	-	-	-	-	-	-	-	
3	10	SO	25	600	Pin Size	Short Male Shroud	8043-2 8043-116	8043-1 8043-127	8043-12	8043-11	16" 6"	1	1 3/8	2 3/4	4	4 3/8	8043-50	8043-10	Term. Back	1	2 3/4	1 5/8	4	4 5/8	9/32	3 3/16	9/16
3	10	SO	25	600	Not Pol.	Short Male Shroud	8037-12	8037-7	8037-94	8037-96	16" 10'	1	1 3/8	2 3/4	4	4 3/8	8037-25	8037-26	Term. Back	1	2 3/4	1 5/8	4	4 5/8	9/32	3 5/16	3/4
3	8	W	35	600	Pin Size	Short Male Shroud	8044-10	8044-16	8044-12	8044-13	16" 10'	1 1/8	1 1/2	3 1/8	4 5/8	5 1/8	-	-	-	-	-	-	-	-	-	-	
3	6	W	50	600	Pin Size	Short Male Shroud	8045-2 8045-103	8045-3 8045-100	8045-8 8045-104	8045-9 8045-106	24" 10'	1 1/4	1 5/8	3 1/2	5 3/8	6 1/2	-	-	-	-	-	-	-	-	-	-	

These are connector ratings only. Operating ratings must be based on cable capacity.

Oval Connectors FOUR POLE



DATA

PLUG

RECEPTACLE

No. of Cont.	ELECTRICAL DATA				Description		PART NUMBERS				Assembly Length	DIMENSIONS (Approximate Inches)					PART NUMBERS		DIMENSIONS (Approximate Inches)									
	Cable		Max. Cable Rating	Polarized By	Type of Seal	Without Safety Chain		With Safety Chain		With Covers					With Covers													
	AWG	TYPE				AMP	VOLTS	Male	Female	Male		Female	Male	Female	Male	Female	A	B	C	D	E	F	G	H				
4	14	SO	12	600	Pin Arrangement	Short Female Shroud	8059-11	8059-15	8059-56 8059-114	8059-51 8059-116	16" 10'	1	1 1/4	2 3/4	3 11/16	4 7/16	8059-25	8059-25	Term. Back	1	2 3/4	1 5/8	4	4 5/8	9/32	2 7/8	5/8	
4	14	SO	12	600	Pin Size	Full Male Shroud	8064-4	8064-1	8064-5	8064-2	30"	1 5/8	1 5/8	3 1/4	5 3/8	3 5/16	-	-	-	-	-	-	-	-	-	-	-	-
4	10	SO	20	600	Pin Size	Short Male Shroud	8060-15	8060-2	8060-22 8060-197	8060-26 8060-199	24" 10'	1 1/8	1 5/8	3 3/4	5	5 1/2	8060-31	8060-33	Term. Back	1 1/8	3 3/4	2	5 1/4	6	9/32	3 5/16	13/16	
4	10	SO	20	600	Grnd Pin Rev.	Short Male Shroud	8401-6	8401-5	-	-	-	1 1/8	1 5/8	3 3/4	4 13/16	5 3/4	-	-	-	-	-	-	-	-	-	-	-	-
4	8	W	30	600	Pin Size	Full Male Shroud	8065-1	8065-2	-	-	30"	1 5/8	1 7/8	4 1/16	6 1/2	5 9/16	-	-	-	-	-	-	-	-	-	-	-	-
4	8	W	30	600	Grnd Pin Rev.	Short Male Shroud	8364-6	8364-3	8364-8	8364-5	30"	1 1/8	1 5/8	3 3/4	5 3/8	5 1/8	-	-	26"	1 1/4	3 7/8	2	5 1/4	6	9/32	2 13/16	3/8	
4	6	W	40	600	Pin Size	Short Male Shroud	8062-8 8062-116 8062-117	8062-24 8062-118 8062-119	8062-6 8062-113 8062-120	8062-18 8062-121 8062-122	30" 6" 10'	1 1/4	1 5/8	4 1/4	5 3/8	6 1/2	8062-33	8062-27	Term. Back	1 1/2	4 1/2	2 1/8	6 1/4	7 1/4	3/8	5 1/16	1 1/4	
4	2	W	75	600	Pin Size	Short Male Shroud	8063-28	8063-27	8063-39 8063-140	8063-6 8063-142	30" 10'	1 1/2	2	4 7/8	6 7/8	7 1/8	-	-	-	-	-	-	-	-	-	-	-	-

These are connector ratings only. Operating ratings must be based on cable capacity.

Push-Lock Connectors For Mining, Tunneling and Industry

STANDARD FEATURES

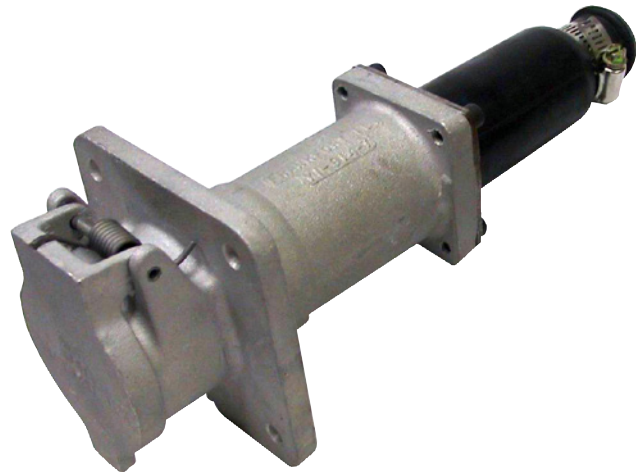
- Available attachable or molded to cable
- Locking unit
- Resilient neoprene construction
- Easily installed
- Receptacles available with covers

PARAMETERS

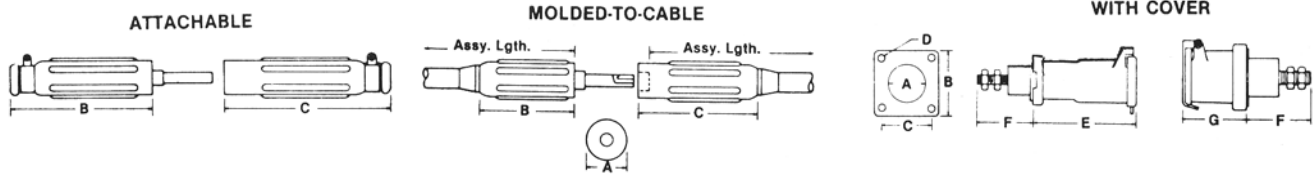
- Single contact Number 2 through 4/0 cable
- Up to 125 volts/550 amps moulded to cable
- Up to 600 volts/235 amps
- Up to 5000 volts/175 amps moulded to cable

APPLICATIONS

- Welding leads
- Portable distribution centers
- Utility Companies - distribution centers
- Electromagnets
- Railroad
- Refineries



Push-Lock Connectors



DATA

PLUG

RECEPTACLE

Electrical Data		Part Numbers			Dimensions (Approx. Inches)			Part Numbers									
Max. AWG	Max AMP.	Assy. Length	Male	Female	A	B	C	Male	Female		A	B	C	D	E	F	G

ATTACHABLE 600 VOLT

2	110	Attach.	8168-3	8168-2	1 3/8	4 3/4	5 9/16	8168-14	8168-10	Covered	1 1/4	1 1/2	2	7/32	4 7/16	2 7/16	2 7/16
2/0	175	Attach.	8169-3	8169-4	1 5/8	5 7/16	6 3/8	8169-31	8169-17	Covered	1 1/2	2	2 5/8	9/32	5 1/2	2 1/2	2 1/2
4/0	235	Attach.	8170-1	8170-2	1 7/8	6 15/16	7 3/8	8170-36	8170-35	Covered	1 5/8	2	2 5/8	9/32M 7/32	5 1/2	2 1/2	2 7/8
4/0	235	Attach.	8567-10	8567-18	1 7/8	6 13/16	9 5/16	-	8567-23	Covered	3 7/16	3	4 1/16	9/32	-	8 5/8	1 15/16

Male contact shrouded

For welding applications, the above will carry the same load as those listed below for corresponding wire sizes.

MOLDED TO CABLE UP TO 125 VOLT WELDING

2/0	375	45"	8165-4	8165-5	1 1/8	4 3/16	5 3/16	8169-31	8169-17	Covered	1 1/2	2	2 5/8	9/32	5 1/2	2 1/2	2 1/2
4/0	550	45"	8166-6	8166-3	1 3/8	4 1/2	5 1/2	8170-36	8170-35	Covered	1 5/8	2	2 5/8	9/32M 7/32	5 1/2	2 1/2	2 7/8
2	110	24"	8173-1	8173-2	1 5/8	4	4 1/2	-	8173-13	Covered	1 1/2	2 5/8	2	9/32	2 17/32	2 1/2	-
2/0	175	18"	8174-4	8174-3	1 5/8	4 1/2	5 1/4	-	-	-	-	-	-	-	-	-	-

NOTE: Refer to price list for identification of stock items.

These are connector ratings only. Operating ratings must be based on cable capacity.



Change-Out Connectors For Mining, Tunneling and Industry

STANDARD FEATURES

- Available in aluminum or nylon
- Completely sealed against environment
- Standard lengths are 6', 12' and 18' on plugs
- Available in any length required
- Positive locking
- Small in size
- Easily installed

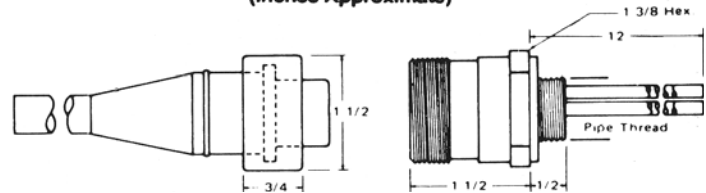
PARAMETERS

- Two through nine contacts
- Number 18 AWG through Number 10 AWG
- Up to 600 volts/25 amps

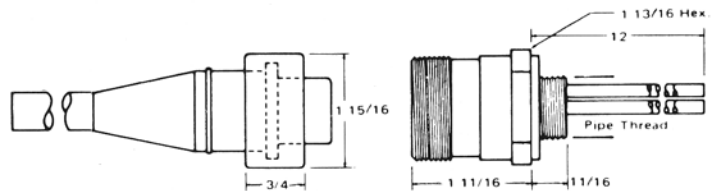
APPLICATIONS

- Pre-wired Limit Switches - For reducing spares for cutting downtime
- Motors - Simplify replacement
- Solenoid Valves - No rewiring with a changeout
- Foot operated switches
- Power transformers - Cooling fan connectors
- Pre-wired - Small h.p. pumps, photo-electric switches
- Transformer manufacturers - Used on cooling unit fans
- Valve manufacturers - Attached to valves for quick and easy hookup
- Skeet shooting equipment - Remington Arms
- Automotive industry - limit and proximity switches
- Calibrating equipment - thermocouple hookups
- Small, portable tools

DIMENSIONS – all below one body size (Series A)
(Inches Approximate)



DIMENSIONS – all below one body size (Series B)
(Inches Approximate)



Change-Out Connectors

ACCESSORIES (Series A)



CAP & CHAIN
3316329-1
Plastic cover for Change-out receptacles. Supplied with short chain for attachment to receptacle shell.



SEAL
A325254 (for X8651, X8652, X8653)
3325625-1 (for X8870, X8871, X8872)
Neoprene dummy plug with coupler used to seal all female Change-out receptacles.



ADAPTER
314482
Threaded aluminum adapter ring to couple portable Change-out connectors together.

ACCESSORIES (Series B)



CAP & CHAIN
3316329-2
Plastic cover for Change-out receptacles. Supplied with short chain for attachment to receptacle shell.



SEAL
3325533
Neoprene dummy plug with coupler used to seal all female Change-out receptacles (except X8916).



ADAPTER
1315273
Threaded aluminum adapter ring to couple portable Change-out connectors together.

UP TO 15 AMPS

With **NYLON** couplers and receptacle shell

No. Cont.	ELECTRICAL DATA				PLUG			RECEPTACLES (12" 1/c Pigtail)		
	MAX. RATING (Cable)				Note: Adaptor required to couple male and female plug.			Male	Female	Pipe Thread
	AWG	Type	Amps	Volts	Length	Male	Female			
3	#14	SO	15	600	6'	8652-93	8652-92	8653-91	8653-90	1/2"
					12'	8652-95	8652-94			
					18'	8652-97	8652-96			
4	#14	SO	12	600	6'	8653-93	8653-92	8653-91	8653-90	1/2"
					12'	8653-95	8653-94			
					18'	8653-97	8653-96			

With **ALUMINUM** couplers and receptacle shell

3	#14	SO	15	600	6'	8652-51	8652-48	8652-12	8652-14	1/2"
					12'	8652-52	8652-49			
					18'	8652-53	8652-50			
4	#14	SO	12	600	6'	8653-47	8653-44	8653-13	8653-15	1/2"
					12'	8653-48	8653-45			
					18'	8653-49	8653-46			

UP TO 25 AMPS

With **ALUMINUM** couplers and receptacle shell

No. Cont.	ELECTRICAL DATA				PLUG			RECEPTACLES (12" 1/c Pigtail)		
	MAX. RATING (Cable)				Note: Adaptor required to couple male and female plug.			Male	Female	Pipe Thread
	AWG	Type	Amps	Volts	Length	Male	Female			
5	#10	SO	20	600	6'	8878-8	-	-	8878-1	1"
					12'	8878-10				
6	#10	SO	20	600	6'	8877-8	8877-7	8877-3	8877-1	1"
					12'	8877-10	8877-9			
* 7	#10	SO	18	600	6'	8876-10	8876-7	8876-3	8876-1	1"

NOTE: Refer to price list for identification of stock items.

* Not available at present time.

These are connector ratings only. Operating ratings must be based on cable capacity.

Ramp Power Connectors For Mining, Tunneling and Industry

STANDARD FEATURES

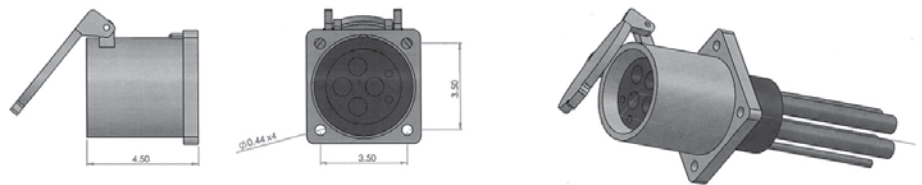
- Plugs are attachable
- Easily installed
- All metal parts are neoprene insulated
- Fits standard receptacles

PARAMETERS

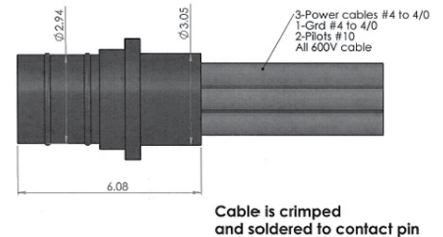
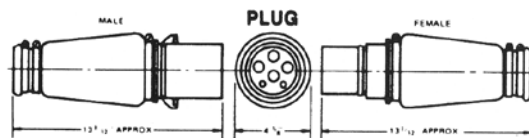
- Four power - two control contacts
- Number 4 AWG through Number 4/0 AWG
- Up to 1,000 volts/225 amps

APPLICATIONS

- Stand-by aircraft power
- Aircraft air conditioning systems
- Hydraulic test stands
- Motor generator sets
- Tunnel industry



Ramp Power Connectors



ORDERING REFERENCE

Male Plug
1806-71

Female Plug
1806-70

Female Receptacle
1806-91

Female Insert
1806-62

The 1806-71 Male Ramp Power plug will mate with common Aircraft Service contactors and flush-mounted receptacles as manufactured by the Crouse-Hinds Company, Pyle National and Killark Electric Mfg. Co. It is recommended that the completed cable, connector assembly be rated based on the capacity of the cable.

ASSEMBLY INSTRUCTIONS

1. Slip grommet and outer protective sleeve over cable.
2. Remove cable jacket 7". Skin power and ground lead 3", insert into proper contacts and tighten set screws. (Two allen-head screws per contact).
3. Skin pilot leads 1/2" and crimp to terminal connector.
4. Slide protective sleeve and grommet forward and thread into place. Tighten hose clamps.

ELECTRICAL DETAILS

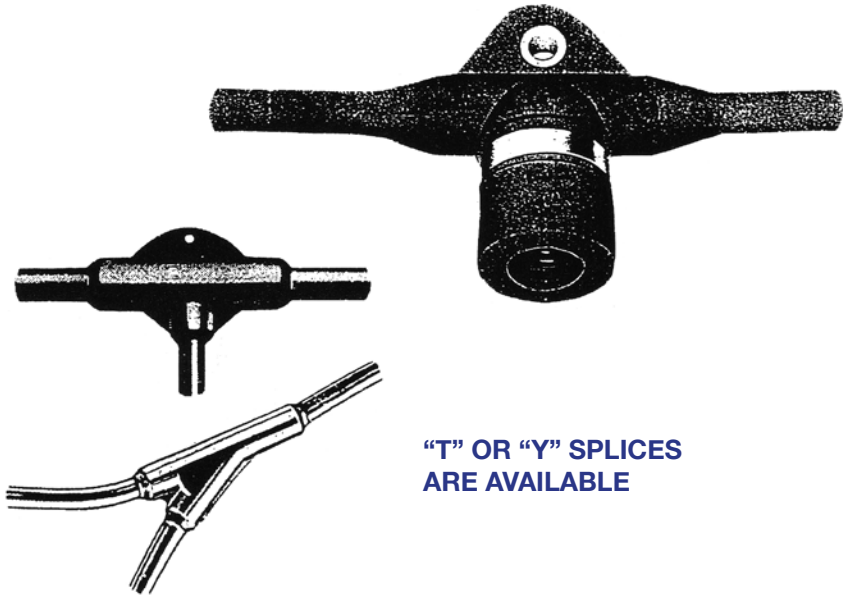
- Conductor Sizes: #4 through #4/0 3/C PCG
- Number of Conductors: 4 power through 2 control
- Voltage Class: 1,000V
- Ampacity: up to 225A

Stringlites

Special Connectors For Mining, Tunneling and Industry

STANDARD FEATURES

- Economical
- Portable
- Reusable
- Fully Tested
- Weatherproof
- Grounded Guards
- Brass Reinforced
- Suspension Mounting Hole
- Made to Customer's Specifications



**"T" OR "Y" SPLICES
ARE AVAILABLE**

Products for the Entertainment Markets

Electrical Products

Cable Hangers
 J-Hooks
 Cable Cutters (H.K. Porter)
 Cable Fault Locator and Tracers
 High Voltage Gloves
 Testing Plugs and Plug Repair
 Cable Grips (Kellems)
 Trolley Hardware (Phoenix)
 Ground Check and Fault Monitors:
 (AMR/Pemco/MCI)
 String-A-Lights
 Tie Wire
 Belt Monitoring (Ensign/AMR)
 Belt Switches (Conkie/Hawkeye)
 Limit Switches (Cutter-Hammer)
 Lighting Systems (SMC)
 Coax Connectors
 Vacuum Load Break Switches (SMC)
 Connectors:
 Woodhead/Burndy/T&B/3M/Amp/
 Panduit
 Low Voltage Connectors:
 MCI/SMS Uni-Lock/P.D.P./Ensign
 Victor

Electrical Cable

Bare Copper and Aluminum
 Trolley Wire
 Blasting Wire and Shot
 S.O. Cords
 Bore Hole Cable
 Armoured Cable
 Monitor and Sensor Cables
 Computer Cables
 Shuttle Car
 Continuous Miner Cable
 Shovel Cable
 Pump Cable
 Remote Drill Cord
 Jumper Cable
 Welding Cable
 Loaders-Cutters-Drills
 Locomotive Cable
 Longwall Cable
 Military Specifications
 Mine Power Feeder
 Traffic Signal
 Communication
 Building Wire
 Portable Control Cables
 Power Cable

Electrical Cable Manufacturers

BICC Cablec
 Larabee Powerflex
 Essex
 Royal
 Carol
 A.I.W.
 General
 Prestolite
 Service Wire

Cable Services

High and Low Voltage Reconditioned
 Coupler Installation
 Molded Pot Heads
 Stress Cones
 Jacket Patches
 Reinsulation
 Railbonds
 Cable Splicing

Splice Kits

Plymouth
 AMP
 3M
 RMS
 MPI
 RAYCHEM

Cable Repair Supplies

Plymouth - Tapes/Shielding Braid
 Okonite - Tape/Splicing Cement
 3M - Tape/Braid/Lugs
 Rice Shielding Braid
 Cable Jigs
 Molds
 Vulcanizers

Other Fine Products And Services

Exide Batteries
 Douglas Batteries
 Sounding Rods
 Mine Sealant
 Mine Ventilation Products
 Mine Battery Repair
 Battery Chargers
 Pumps
 Cable Guards





B-Connector Series

NEW! YELLOW (YEL), ORANGE (ORG), BROWN (BRN) colors now available for ALL B-Connector Series shown.

CSA Approved & UL Listed

PLUGS



Male Size #2-2/0 • Up to 290 Amps, 600 Volts

Color	Complete Part No.	Contact Part No.	Insulated Sleeve
BLACK	B20M-BLK	BT20M	B20MRB-BLK
RED	B20M-RED	"	B20MRB-RED
GREEN	B20M-GRN	"	B20MRB-GRN
WHITE	B20M-WHT	"	B20MRB-WHT
BLUE	B20M-BLUE	"	B20MRB-BLUE

Size #2/0 - 4/0 • Up to 400 Amps, 600 Volts

BLACK	B40M-BLK	BT40M	B40MRB-BLK
RED	B40M-RED	"	B40MRB-RED
GREEN	B40M-GRN	"	B40MRB-GRN
WHITE	B40M-WHT	"	B40MRB-WHT
BLUE	B40M-BLUE	"	B40MRB-BLUE



Female Size #2-2/0 • Up to 290 Amps, 600 Volts

Color	Complete Part No.	Contact Part No.	Insulated Sleeve
BLACK	B20F-BLK	BF20	BFRB-BLK
RED	B20F-RED	"	BFRB-RED
GREEN	B20F-GRN	"	BFRB-GRN
WHITE	B20F-WHT	"	BFRB-WHT
BLUE	B20F-BLUE	"	BFRB-BLUE

Size #2/0 - 4/0 • Up to 400 Amps, 600 Volts

BLACK	B40F-BLK	BF40	BFRB-BLK
RED	B40F-RED	"	BFRB-RED
GREEN	B40F-GRN	"	BFRB-GRN
WHITE	B40F-WHT	"	BFRB-WHT
BLUE	B40F-BLUE	"	BFRB-BLUE

PLUG HARDWARE

- SHIMS CS1502
- WIRE CW 1406
- SET SCREW #2 - 4/0
- RETAINING PIN PP1875



B-Connector Series

NEW! YELLOW (YEL), ORANGE (ORG), BROWN (BRN) colors now available for ALL B-Connector Series shown.

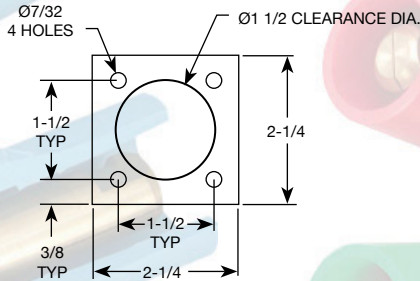
CSA Approved & UL Listed

PANEL MOUNTS



Male

BLACK	B41M-BLK	B41MSS-BLK
RED	B41M-RED	B41MSS-RED
GREEN	B41M-GRN	B41MSS-GRN
WHITE	B41M-WHT	B41MSS-WHT
BLUE	B41M-BLUE	B41MSS-BLUE



Female

BLACK	B41F-BLK	B41FSS-BLK
RED	B41F-RED	B41FSS-RED
GREEN	B41F-GRN	B41FSS-GRN
WHITE	B41F-WHT	B41FSS-WHT
BLUE	B41F-BLUE	B41FSS-BLUE

ACCESSORIES



Color	Tapping "T"	Paralleling "T"	3-Fer	3 Fer/cable
BLACK	B40TT-BLK	B40PT-GRN	B3F-BLK	B3F24-BLK
RED	B40TT-RED	B40PT-GRN	B3F-RED	B3F24-RED
GREEN	B40TT-GRN	B40PT-GRN	B3F-GRN	B3F24-GRN
WHITE	B40TT-WHT	B40PT-GRN	B3F-WHT	B3F24-WHT
BLUE	B40TT-BLUE	B40PT-GRN	B3F-BLUE	B3F24-BLUE

ADAPTORS



PROTECTIVE CAPS



NEW!
CAP-WSC-CLR
"Clear" Now Available!



Molded Panel Mount Snap Back Cover

Color	Male/Male	Female / Female	Color	Part No.	Color	Male	Female
BLACK	B40MM-GRN	B40FF-BLK	BLACK	CAP-WSC-BLK	BLACK	BPCM-BLK	BPCF-BLK
RED	B40MM-GRN	B40FF-RED	RED	CAP-WSC-RED	RED	BPCM-RED	BPCF-RED
GREEN	B40MM-GRN	B40FF-GRN	GREEN	CAP-WSC-GRN	GREEN	BPCM-GRN	BPCF-GRN
WHITE	B40MM-GRN	B40FF-WHT	WHITE	CAP-WSC-WHT	WHITE	BPCM-WHT	BPCF-WHT
BLUE	B40MM-GRN	B40FF-BLUE	BLUE	CAP-WSC-BLU	BLUE	BPCM-BLUE	BPCF-BLUE

T-Connector Series

NEW! YELLOW (YEL), ORANGE (ORG), BROWN (BRN) colors now available for ALL T-Connector Series shown.

CSA Approved & UL Listed

MALE CONNECTORS



FEMALE

Male Size #2-2/0 • Up to 290 Amps, 600 Volts

Female Size #2-2/0 • Up to 290 Amps, 600 Volts

Complete Connector		Contact Only	Insulating Sleeve Only		Complete Connector		Contact Only	Insulating Sleeve Only	
Color	Part No.	Part No.	Color	Part No.	Color	Part No.	Part No.	Color	Part No.
BLACK	T20M-BLK	BT20M	BLACK	T20MRB-BLK	BLACK	T20F-BLK	T20F	BLACK	TFRB-BLK
RED	T20M-RED	BT20M	RED	T20MRB-RED	RED	T20F-RED	T20F	RED	TFRB-RED
GREEN	T20M-GRN	BT20M	GREEN	T20MRB-GRN	GREEN	T20F-GRN	T20F	GREEN	TFRB-GRN
WHITE	T20M-WHT	BT20M	WHITE	T20MRB-WHT	WHITE	T20F-WHT	T20F	WHITE	TFRB-WHT
BLUE	T20M-BLU	BT20M	BLUE	T20MRB-BLU	BLUE	T20F-BLU	T20F	BLUE	TFRB-BLU

Size #2/0 - 4/0 • Up to 400 Amps, 600 Volts

Size #2/0 - 4/0 • Up to 400 Amps, 600 Volts

BLACK	T40M-BLK	BT40M	BLACK	T40MRB-BLK	BLACK	T40F-BLK	T40F	BLACK	TFRB-BLK
RED	T40M-RED	BT40M	RED	T40MRB-RED	RED	T40F-RED	T40F	RED	TFRB-RED
GREEN	T40M-GRN	BT40M	GREEN	T40MRB-GRN	GREEN	T40F-GRN	T40F	GREEN	TFRB-GRN
WHITE	T40M-WHT	BT40M	WHITE	T40MRB-WHT	WHITE	T40F-WHT	T40F	WHITE	TFRB-WHT
BLUE	T40M-BLU	BT40M	BLUE	T40MRB-BLU	BLUE	T40F-BLU	T40F	BLUE	TFRB-BLU

MALE PANEL MOUNTS



Threaded Stud

Color	Part No.
BLACK	T41M-BLK
RED	T41M-RED
GREEN	T41M-GRN
WHITE	T41M-WHT
BLUE	T41M-BLU



Threaded Stud 45°

Color	Part No.
BLACK	T45M-BLK
RED	T45M-RED
GREEN	T45M-GRN
WHITE	T45M-WHT
BLUE	T45M-BLU



Double Set Screw

Color	Part No.
BLACK	T41Mss-BLK
RED	T41Mss-RED
GREEN	T41Mss-GRN
WHITE	T41Mss-WHT
BLUE	T41Mss-BLU



Double Set Screw 45°

Color	Part No.
BLACK	T45Mss-BLK
RED	T45Mss-RED
GREEN	T45Mss-GRN
WHITE	T45Mss-WHT
BLUE	T45Mss-BLU

FEMALE PANEL MOUNTS



Threaded Stud

Color	Part No.
BLACK	T41F-BLK
RED	T41F-RED
GREEN	T41F-GRN
WHITE	T41F-WHT
BLUE	T41F-BLU



Threaded Stud 45°

Color	Part No.
BLACK	T45F-BLK
RED	T45F-RED
GREEN	T45F-GRN
WHITE	T45F-WHT
BLUE	T45F-BLU



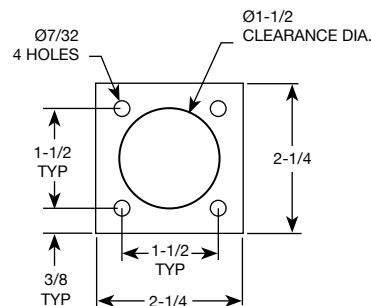
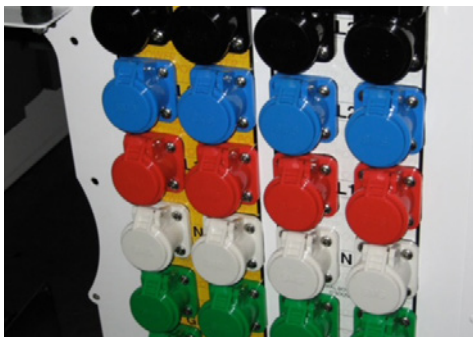
Double Set Screw

Color	Part No.
BLACK	T41Fss-BLK
RED	T41Fss-RED
GREEN	T41Fss-GRN
WHITE	T41Fss-WHT
BLUE	T41Fss-BLU



Double Set Screw 45°

Color	Part No.
BLACK	T45Fss-BLK
RED	T45Fss-RED
GREEN	T45Fss-GRN
WHITE	T45Fss-WHT
BLUE	T45Fss-BLU





T-Connector Series

NEW! YELLOW (YEL), ORANGE (ORG), BROWN (BRN) colors now available for **ALL** T-Connector Series shown.

CSA Approved & UL Listed

CONNECTOR HARDWARE



Copper Shim

Part No. CS 1502



Copper Wire

Part No. CW 1406



Set Screw #2 to 4/0

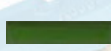
Part No. SS 2/0 4/0



Phenolic Pin For Cable Inline

Part No. P 1875

MALE COUPLINGS, T'S, 3-FERS



FEMALE COUPLINGS, T'S

Parallel "T" Male/Male/Female		Inline Coupling Male to Male		3-Fer Moulded Male to F/F/F		3-Fer Moulded Male to F/F/F	3-Fer Moulded Male to F/F/F on 24" Cable		Tapping "T" Male/Female/Female		Inline Coupling Female to Female	
Color	Part No.	Color	Part No.	Color	Part No.	Part No.	Color	Part No.	Color	Part No.	Color	Part No.
BLACK	T40PT-BLK	BLACK	T40MM-BLK	BLACK	T3F-BLK	T3FS	BLACK	T3F24-BLK	BLACK	T40TT-BLK	BLACK	T40FF-BLK
RED	T40PT-RED	RED	T40MM-RED	RED	T3F-RED	T3FS	RED	T3F24-RED	RED	T40TT-RED	RED	T40FF-RED
GREEN	T40PT-GRN	GREEN	T40MM-GRN	GREEN	T3F-GRN	T3FS	GREEN	T3F24-GRN	GREEN	T40TT-GRN	GREEN	T40FF-GRN
WHITE	T40PT-WHT	WHITE	T40MM-WHT	WHITE	T3F-WHT	T3FS	WHITE	T3F24-WHT	WHITE	T40TT-WHT	WHITE	T40FF-WHT
BLUE	T40PT-BLU	BLUE	T40MM-BLU	BLUE	T3F-BLU	T3FS	BLUE	T3F24-BLU	BLUE	T40TT-BLU	BLUE	T40FF-BLU

PROTECTIVE CAPS



NEW!
CAP-WSC-CLR
"Clear" Now Available!



Male Connectors		Molded Panel Mount Snap Back Cover		Female Connectors	
Color	Part No.	Color	Part No.	Color	Part No.
BLACK	TPCM-BLK	BLACK	CAP-WSC-BLK	BLACK	TPCF-BLK
RED	TPCM-RED	RED	CAP-WSC-RED	RED	TPCF-RED
GREEN	TPCM-GRN	GREEN	CAP-WSC-GRN	GREEN	TPCF-GRN
WHITE	TPCM-WHT	WHITE	CAP-WSC-WHT	WHITE	TPCF-WHT
BLUE	TPCM-BLU	BLUE	CAP-WSC-BLU	BLUE	TPCF-BLU





Termination Guide

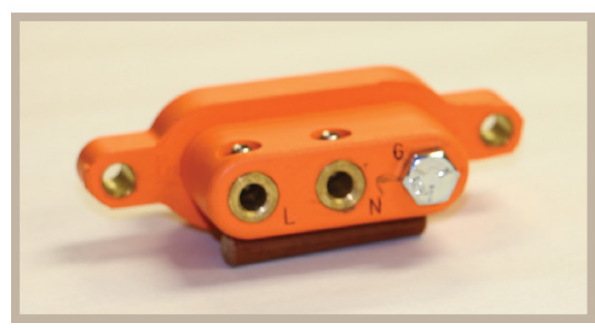


569372 – 88F Female Panel Mount – 77M (Male P/M with 3 stainless screws standard)



569372-88F

"F" = 3 set screws on side (standard)



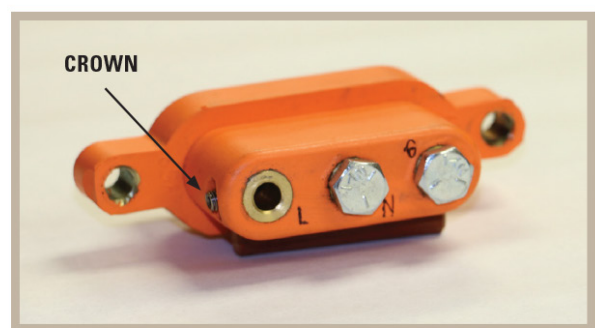
569372-88FG

"G" = Grd Pin Drilled; 1/4-20* in Rear;
*3/8 Hex Head



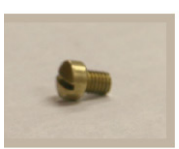
569372-88FGN

"G" = Grd Pin Drilled; 1/4-20* in Rear
"N" = Neutral Pin Drilled; 1/4-20* in Rear
*3/8 Hex Head



569372-88FGNC

"G" = Grd Pin Drilled; 1/4-20* in Rear
"N" = Neutral Pin Drilled; 1/4-20* in Rear
"C" = Line Set Screw on Crown
*3/8 Hex Head




Brass "Strait Slot" Screw
"B" = Replaces Stainless Steel Screws

For more information about our equipment or services, contact Marshall Girtman, Inside Sales, Special Mine Services, Inc. at (618) 932-2151.



Termination Guide

OVAL STUDIO LIGHTING CONNECTORS									
					Terminal Back Insert		Panel Mount		Pug Sleeve
No. of Contacts	For AWG	Amps	Volts	Insert and Sleeve Color	Male	Female	Male	Female	-----
3	12	30	600	BLACK	569371-7M	569371-8F	569371-77M	569371-88F	355689
3	6	65	600	ORANGE	569372-7M	569372-8F	569372-77M	569372-88F	1357723-2

ROUND STUDIO LIGHTING CONNECTORS								
					Terminal Back Insert		Pug Sleeve	Mounting Shell
No. of Contacts	For AWG	Amps	Volts	Insert and Sleeve Color	Male	Female	Female	
4	2	140	600	BLACK	569221-7M	569221-8F	1357722-1	504819-1 for Flush Mounting
4	6	100	600	ORANGE	569373-7M	569373-8F	1357724-1	of 569373 Inserts

For more information about our equipment or services, contact Marshall Girtman, Inside Sales, Special Mine Services, Inc. at (618) 932-2151.

 **High Voltage Couplers • Up to 35 Kva**



From our original 8-pitch housing to the industries best no thread connectors; we have a high voltage (HV) connector that will fit your needs. All TJB HV couplers feature a durable aluminum housing with a solid polyester insulator plate and your choice of EP rubber or 100% virgin molded PTFE insulating tubes. Our unique cable entrance allows TJB couplers to meet IP 67 standards for dust and water exclusion even when the cable is out of round or under sized. With contacts tested to 800A DC and able to accommodate conductor sizes as small as #10 and as large as 500MCM with a cable diameter of 3.75” means no matter what your use case is, our HV couplers will fit your needs.



WHY PAY MORE FOR PTFE?

PTFE has many properties that make the lifetime ownership costs lower than rubber in most situations:

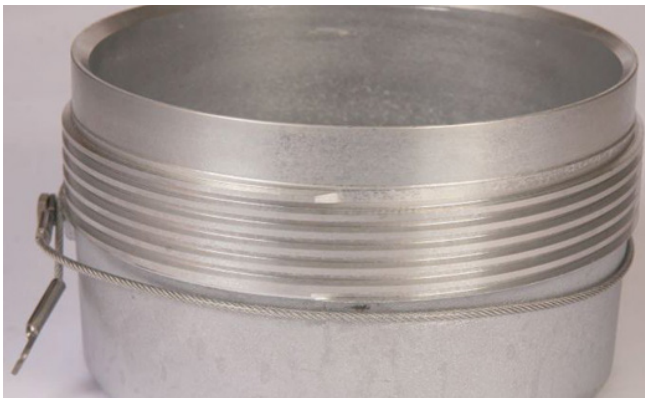
- **NONSTICK** means coupler cleaning requires little more than a damp cloth.
- **INERT** there are very few chemicals that can react with or damage PTFE, so acidic mine environments do not decrease coupler life.
- **HYDROPHOBIC** PTFE does not absorb water like rubber so dielectric strength is not compromised in damp environments.
- **RIGIDITY** the stiffness of PTFE requires less cable training to maintain contact alignment during installation.
- **NO TRACKING** tracking is caused by the slow breakdown of an insulator due to high voltage exposure; while you may see a black path form on PTFE insulators, from arcing on dirt, the black path is **NON-conductive** and simple cleaning will bring the insulator back to 100% usability.

 **High Voltage Couplers • Up to 35 Kva**

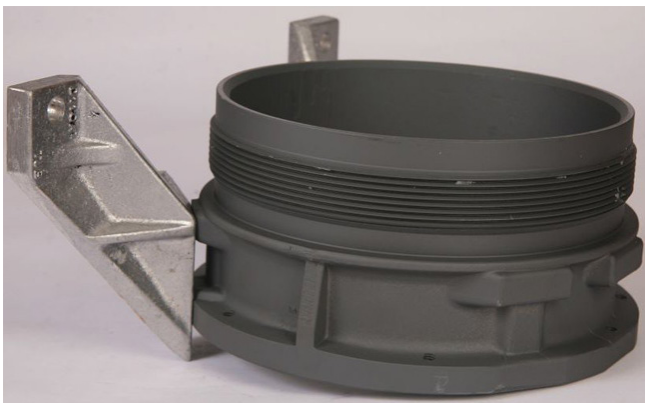


CHOOSING A THREAD PITCH

NO-THREAD. Since TJB introduced the first no-thread couplers they have grown in popularity and are the most frequently ordered closure type. The no-thread connectors have become so popular because they solve almost all the issues associated with other closure types. No-thread couplers use a pin and slot design that goes from open to closed in as little as 90 degrees. Detents at the end of the slot provide a positive indication of coupler closure and also prevent decoupling due to vibration. Unlike conventional threads the TJB no-thread design is self-cleaning, avoiding the prolonged downtime and damaged parts resulting from jammed threads. Kits to convert TJB and NON-TJB couplers to no-thread are available and take only a few minutes to install.

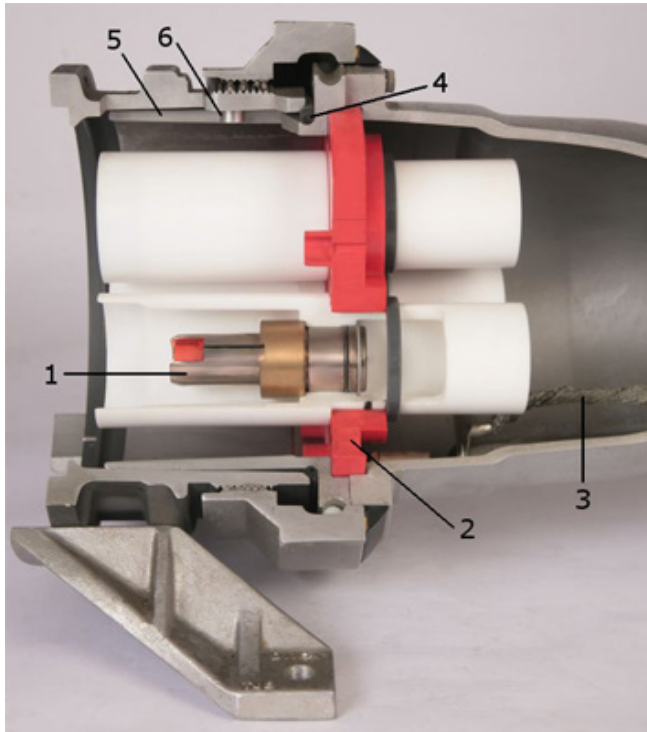


4-PITCH. 4-Pitch is the best option when a threaded coupler is required, with a blunt start and a double thread design, TJB 4-pitch couplers virtually eliminate the possibility of cross threading and thread roll over while also decreasing the number of turns required to mate the couplers. All TJB HV couplers come with a ball bearing mounted floating nut. The ball bearings reduce the intrinsic drag and provide a longer wear life in frequently coupled connectors. The floating nut also allows for the plug to be inserted into the socket before the threads are engaged enabling faster connections and decreasing the likelihood of insulator damage.



8-PITCH. 8-Pitch is only recommended to legacy operations where conversion to 4-pitch or no-thread is not an option. While not an ideal connection type TJB has taken several steps to reduce the problems that can occur with 8-pitch couplers. The plug nuts on 8-pitch couplers are fitted with a stainless steel thread to prevent galling, and as with the 4-pitch a blunt start thread provides cross threading protection and creates a more durable first thread.

TJB High Voltage Couplers • Up to 35 Kva



STANDARD FEATURES

THAT SET US APART FROM THE COMPETITION

- TJB phase and ground contacts are made of solid copper and silver plated to resist corrosion. Male contacts have split noses and contain a silicone button that expands when heated, ensuring high contact pressure under heavy loads without increasing the force required to connect and disconnect the couplers.
- Solid polyester insulating plate allows for a double O-ring seal to eliminate water seepage and increase the stability of the ground and ground check contacts.
- Aluminum housing is grounded internally with a tinned copper braid to guarantee high conductivity and provide greater flexibility reducing installation effort.
- A beveled edge on the plug cover and socket body mate to create a dust and water tight seal independent of the threads, precluding leakage as the threads age and wear.
- Overlapping metal housings allow for coupler engagement by hand with no special tools and no risk of damage. It also allows couplers to be more compact and provides shielding to the user during coupling and uncoupling.
- A pin on the female housing aligns with a slot on the male housing preventing out of phase connections and providing rotational alignment.

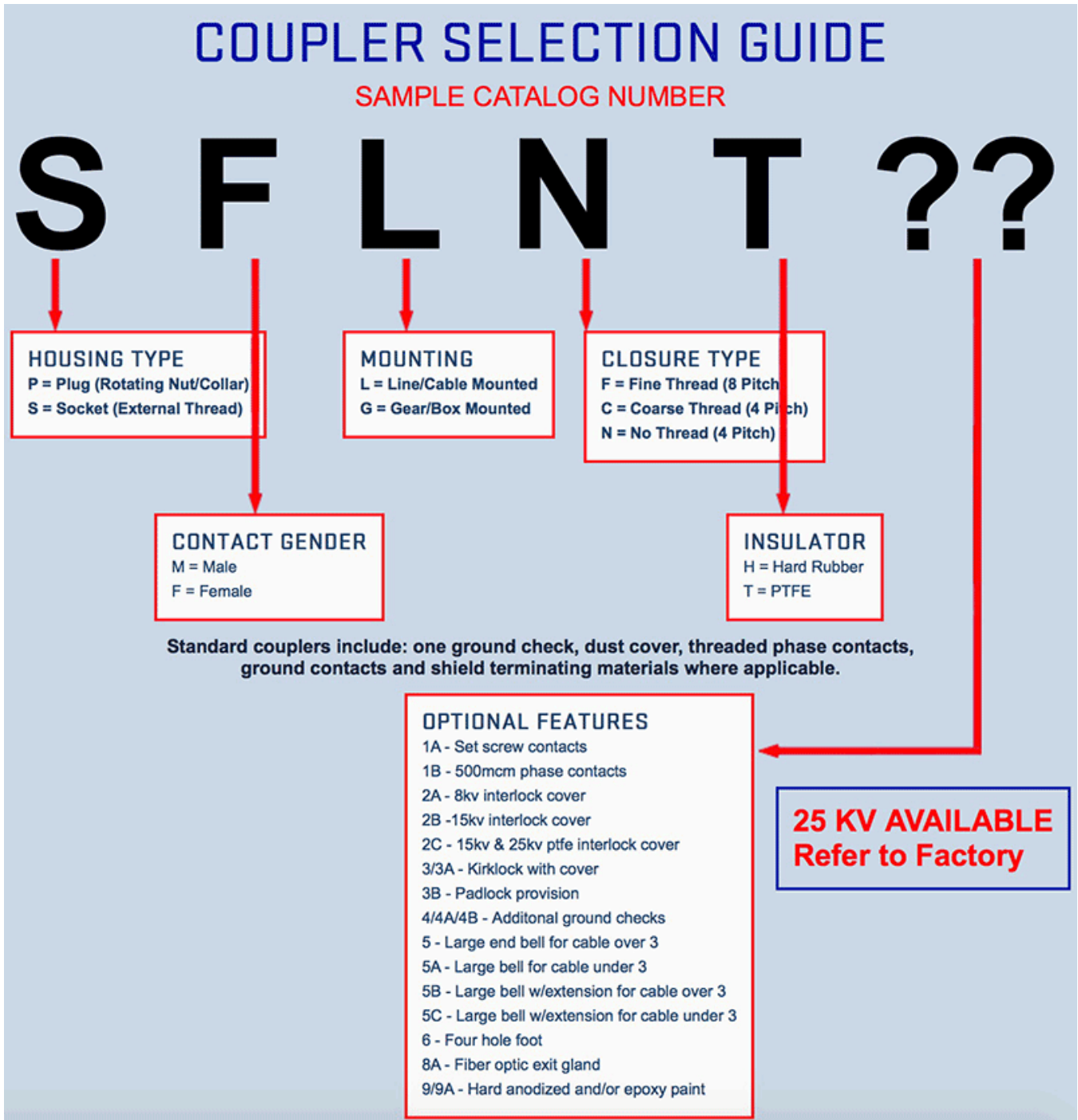
TJB CABLE ENTRANCE

A cone shaped rubber molding is placed over the opening of the end-bell with an end casting acting as a bead lock to maintain the seal. The point of the cone is molded or trimmed to fit the specified cable size. The elasticity of the material is enough to prevent water and dust intrusion but an additional hose clamp is provided to to increase the seal pressure. The advantage of this method is that it allows for a tight seal on out of spec, out of round, and even flat cable. Stress relief is provided by two solid aluminum clamps sized for your cable and bolted to the end casting. The clamps deliver evenly distributed pressure on the circumference of the cable and flared ends on the cable side of the clamp remove the possibility of





High Voltage Couplers Coupler Selection Guide





High Voltage Drawings

PDF drawing files shown below are "hyperlinked" to download from the SMS Connectors website at www.smsconnectors.com.

PLEASE NOTE: BEST RESULTS ARE OBTAINED BY DOWNLOADING THIS CATALOG PDF FILE.

Should you experience the following hyperlinks ineffective from within a web browser, right click with your mouse (Control + mouse click on Mac) to prompt the dialog prompt to save this file to you computer.

PMG-CH.pdf	PMG-CT5D.pdf	PMG-CT.pdf
PMG-FH4.pdf	PMG-FH5D.pdf	PMG-FH.pdf
PMG-FT.pdf	PMG-NH4.pdf	PMG-NH.pdf
PMG-NT.pdf	PML-CH5.pdf	PML-CH.pdf
PML-CT5.pdf	PML-CT.pdf	PML-FH4.pdf
PML-FH.pdf	PML-FT.pdf	PML-NH1A.pdf
PML-NH5.pdf	PML-NH.pdf	PML-NT5.pdf
PML-NT.pdf	SFG-CH2B.pdf	SFG-CH4.pdf
SFG-CH6.pdf	SFG-CH.pdf	SFG-CT2B.pdf
SFG-CT2C.pdf	SFG-CT.pdf	SFG-FH2A.pdf
SFG-FH2B.pdf	SFG-FH4.pdf	SFG-FH.pdf
SFG-FT2B.pdf	SFG-FT.pdf	SFG-NH2A.pdf
SFG-NH2B.pdf	SFG-NH4.pdf	SFG-NH.pdf
SFG-NT2B.pdf	SFG-NT2C.pdf	SFG-NT4.pdf
SFG-NT.pdf	SFL-CH4.pdf	SFL-CH.pdf
SFL-CT5.pdf	SFL-CT.pdf	SFL-FH5.pdf
SFL-FH.pdf	SFL-FT.pdf	SFL-NH1A.pdf
SFL-NH4.pdf	SFL-NH.pdf	SFL-NT4.pdf
SFL-NT5.pdf	SFL-NT.pdf	



High Voltage Parts

CONTACTS

B100Y-COMP	Male Phase and Ground, includes two #173 and one #228
B100Y-6-COMP	Threaded Male Phase Contact. Includes one #173 and one #228
B100Y-6-8-COMP	Threaded Male Phase Contact Assembly for 500 MCM
B100Y-6-9-COMP	Male Phase with Set Screws
B100Y-9-COMP	Male Ground Contact with Set Screws
101-COMP	Contact - Female Phase - Copper includes two #173 and one #228
101-8-COMP	Female Phase Contact Assembly for 500 MCM
101-6-COMP	Contact-Female Phase-Threaded Copper includes one #173 and one #228
101-6-9-COMP	Female Phase with Set Screws
102	Spacer-Male Non-Threaded Phase Contact
129	Contact - Male Interlock Ground
130	Contact - Female Interlock Ground
135	Ground Check Solder Pot
137	Contact - Female Interlock Ground Check
140	Contact - Male Interlock Ground Check
143-COMP	Contact - Male Ground - Copper includes two #173 retaining rings and one #228 O-ring
143-9-COMP	Female Ground Contact Set Screws
144	Spacer - Female Non Threaded Phase Contact
173	1-1/4" Retaining Ring
173S	Stainless Steel 1-1/4" Retaining Ring
228	Contact Compound Seal
240-COMP	Male Contact Nut Phase
241-COMP	Female Contact Nut Phase

CLAMPS

120A - (Specify Size)	Cable Clamp (to 3" Cable Diameter); Specify size
121A - (Specify Size)	Cable Clamp (3.01" to 4.25" cable diameter) specify size

COVERS

113A-COMP	Socket Dust Cover - 8P includes #169 O-ring
113D-COMP	Socket Dust Cover - 4P includes #169 O-ring
113DI-COMP	Socket Cover - 4P-Interlock includes #169 O-ring
113I-COMP	Socket Cover - 8P Interlock includes #169 O-ring
215-COMP	No-Thread Socket Dust Cover includes #169 O-ring
116A-COMP	Plug Dust Cover 8P
116C-COMP	Plug Dust Cover - includes three #185-R pins
116D-COMP	Plug Dust Cover - 4P-Q

MISC.

123	Cable Seal (to 3" cable diameter)
126P	Neoprene Gasket - Plug Switchgear Flange
126S	Neoprene Gasket - Socket Switchgear Flange
131	Waterseal Gasket
138A	Cable Seal, C2 type (to 4.25" jacket diameter)
151	Extruded Dust Seal
184-SET	Nylon Balls Set
206	Neoprene Gasket for BCE
227	Insulator Compound Seal
244-3	Contact Wrench - FOR THREADED CONTACTS
200B	Degreasing Solvent - includes 2 oz. Solvent wiping cloth and Abrasive Paper
200C	Silicone Lube
216-B15	Stress Relief Tape - 3/4 x 15' roll
219-B2	Kit: Materials for 3/c "Stress Relief" tape type termination, cable size through 4/0 8KV includes stress control, HV insulating and PVC tape



High Voltage Parts

ASSEMBLIES

109B/COMP	Socket Body - 8P includes one #131 waterseal gasket
109C/COMP	Socket Body - No-Thread-includes 3 #185-R pins and 1 #131 water-seal gasket
109D/COMP	Socket Body - 4P includes one #131 waterseal gasket
110	Socket Foot, 1 piece type
110AR	Socket Foot, Right
110AL	Socket Foot, Left
111C1-COMP	End Bell (to 3" Cable Diameter)
111C2-COMP	End Bell (to 4.25" Cable Diameter)
112A	End Casting-C1 Type (to 3" Cable Diameter)
112AS/COMP	End Casting - Split C1 Type (to 3" Cable Diameter)
114A-COMP	Plug Body includes #169 O-ring
118-COMP	Plug Switchgear Flange includes one #131 waterseal gasket
122-COMP	Socket Switchgear Flange
128P-COMP	Interlock Plate - 8KV plug includes 1 #130 and 1 #137 (For couplers with MALE phase contacts)
128S-COMP	Interlock Plate - 8KV socket incl. 1 #129 and 1 #140 (For couplers with FEMALE phase contacts)
128-9-COMP	Interlock Plate - Polyester includes plate only (order contacts separately)
132-AL/COMP	Threaded Ring - ALUMINUM THREADS, includes dust seal #151
132-SS/COMP	Threaded Ring - 8P with stainless insert includes dust seal #151
132-OSS/COMP	Threaded Ring with stainless insert non-TJB
132D/COMP	Threaded Ring - 4P includes dust seal #151
139A	End Casting, C2 type (to 4.25" jacket diameter)
139AS/COMP	End Casting, Split C2 type (to 4.25" jacket diameter)
139B	End Casting, C2 type (to 3.00" jacket diameter)
139BS/COMP	End Casting, C2 type (to 3.00" jacket diameter)
152	BCE Flange (to 3" cable diameter)
153	BCE Flange (to 4.25" cable diameter)
193P-COMP	Interlock Plate - 15KV plug includes 1 #130 and 1 #137 (For couplers with MALE phase contacts)
193S-COMP	Interlock Plate - 15KV socket incl. 1 #129 & 1 #140 (For couplers with FEMALE phase contacts)
211F	Housing Adaptor with Foot Lugs
217THD/COMP	No-Thread Ring includes #151 dust seal

REVERSERS

CCCR-FS1T	Female coupler reverser 8P TFE
CCCR-FS2T	Female coupler reverser NT TFE
CCCR-FS3T	Female coupler reverser 4P TFE
CCCR-MP1T	Male coupler reverser 8P TFE
CCCR-MP2T	Male coupler reverser NT TFE
CCCR-MP3T	Male coupler reverser 4P TFE

CONVERSION KITS

CTP	4-P Plug conversion kit
CTS	4-P Socket conversion kit
CTS110LR	4-P Socket conversion kit with feet
FTP	8-P Plug conversion kit with aluminum ring
FTPSTAF	8-P Plug and Socket conversion kit with feet and aluminum ring
FTS110LR	8-P Socket conversion kit with feet
NTPSTF	NT Plug and Socket conversion kit with feet
NTP	No-Thread Conversion Kit for Plug
NTS	No-Thread Conversion Kit for Socket
NTPST	No-Thread Conversion Kit for Plug and Socket TJB

INSULATORS

200-104BHS	Female Hard Tube Insulator Assembly
200-105BHS	Male Hard Tube Insulator Assembly



High Voltage Parts

300-104S	Female Teflon Insulator Assembly
300-105S	Male Teflon Insulator Assembly
522/COMP	Male Ground Check Assembly for Solid Insulator
523/COMP	Female Ground Check Assembly for Solid Insulator
520	Insulator O-ring

HARDWARE

167	3/8-16 x 3" Hex Head Machine Screw
168	3/8-16 Hex Lock Nut
169	O-ring
170	1/8" x 1/2" Roll Pin
171D	2-1/2' attaching cable for Cover
172	5/16-18 x 7/8" Hex Head Capscrew
173	1-1/4" Retaining Ring
173S	Stainless Steel 1-1/4" Retaining Ring
174A	1/4-20 x 1-3/4" Hex Head Capscrew
177	1/4-20 Hex Brass Jam Nut
178	7/16" Retaining Ring
179A	Solderless Terminal #10-12
179B	Solderless Terminal #8
180	3" Ground Check Insulating Tube
181	1/4"-20 x 5/8" Hex Head Capscrew
182	1/4"-20 x 1" Hex Head Capscrew
183	1/4"-20 x 1-1/4" Hex Head Capscrew
185J	Autalign Pin
185-R	No-Thread Pin - Rolling Type (each)
186A	Plug 132, 132D or 217THD
187	SS Seal Clamp (to 3.00" jacket)
187A	SS Seal Clamp (3" to 4.25" jacket)
190A	5/16" Lockwasher
190-COMP	5/16-18 x 5/8" Ground Screw and Lockwasher
191	Ground Strap with Terminal (Includes 190 & 190A)
199	#2 x 3/16 Drive Screw
202	1/4" Lockwasher
204	1/4"-20 x 1 Flat Head Machine Screw
207P	1/4"-20 x 1/2 Button Head Socket Capscrew
517	7/16 Ground Check Retaining Ring
519	Ground Check O-Ring
520	Insulator O-Ring-Solid Insulator
560	1/4"-20 Slim Hex Steel Lock Nut
561	1/4"-20 x 1-1/4 Button Head Socket Capscrew
562	1/4"-20 x 2 Fillister Head Socket Capscrew
574	Retaining Ring-PTFE Tube

COMPOUND KIT

74-8	Epoxy compound for filling phase tubes only
75-12	Re-enterable compound for filling phase tubes only
77-0	For filling entire end bell cavity

REPLACEMENT THREADED NUT, PLUG BODY AND O-RING ASSEMBLY

91	8 pitch stainless steel thread
091A	8 pitch aluminum thread
091-2	No-Thread
091-3	4 pitch thread



High Voltage Parts

INTERLOCK COVERS: ASSEMBLY COMPLETE WITH CONTACTS

For Model: Catalog Number

8 PITCH THREAD 8KV

SFL, SFG	#092
SML, SMG	#093
PFL, PFG	#094
PML, PMG	#095

NO THREAD 8KV

SFL, SFG	#092-2
SML, SMG	#093-2
PFL, PFG	#094-2
PML, PMG	#095-2

4 PITCH THREAD 8KV

SFL, SFG	#092-3
SML, SMG	#093-3
PFL, PFG	#094-3
PML, PMG	#095-3

8 PITCH THREAD 15KV

SFL, SFG	#096
SML, SMG	#097
PFL, PFG	#098
PML, PMG	#099

NO THREAD 15KV

SFL, SFG	#096-2
SML, SMG	#097-2
PFL, PFG	#098-2
PML, PMG	#099-2

4 PITCH THREAD 15KV

SFL, SFG	#096-3
SML, SMG	#097-3
PFL, PFG	#098-3
PML, PMG	#099-3

15KV WITH PTFE CUPS

SFL, SFG - 8 PITCH	#396
SFL, SFG - NO THREAD	#396-2
SFL, SFG - 4 PITCH	#396-3

BCE FLANGE MOUNT CLAMPS

BCE-150	FOR CABLE UP TO 1.5" IN DIAMETER
BCE-175	FOR CABLE 1.51-1.75" IN DIAMETER
BCE-200	FOR CABLE 1.76-2.00" IN DIAMETER
BCE-225	FOR CABLE 2.01-2.25" IN DIAMETER
BCE-250	FOR CABLE 2.26-2.50" IN DIAMETER
BCE-275	FOR CABLE 2.51-2.75" IN DIAMETER
BCE-300	FOR CABLE 2.76-3.00" IN DIAMETER
BCE-325	FOR CABLE 3.01-3.25" IN DIAMETER
BCE-350	FOR CABLE 3.26-3.50" IN DIAMETER
BCE-375	FOR CABLE 3.51-3.75" IN DIAMETER
265	BCE FLANGE ADAPTER PLATE WITH 8-5/8" BOLT CIRCLE



Coupler Options



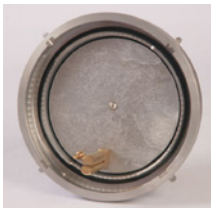
1A • SET SCREW CONTACTS

Set screw contacts remove the need to solder the cable into the contacts. The cable is secured using two preinstalled bronze Allen head set screws. These contacts are often used for on-site cable installations and they maintain all the standard features and carry the same amp rating as the solder contacts.



1B • 500MCM PHASE CONTACTS

To maintain a proper wall thickness 530MCM contacts require a larger cable end contact than our standard contact. TJB 530MCM contacts fit the standard insulators and have no limitations regarding compatibility. The larger contacts are made with the same silver plated solid copper construction and are fixed in the insulators in the same manner as the standard contacts.



2A • 8KV INTERLOCK COVER

Also called a shorting cover an interlock cover connects the ground and ground check when the cover is in place and allows other outputs on the circuit to be energized without tripping the ground check monitor. Use suffix 2B for 15KV covers.



2B • 15KV INTERLOCK COVER

Also called a shorting cover an interlock cover connects the ground and ground check when the cover is in place and allows other outputs on the circuit to be energized without tripping the ground check monitor. The 15KV cover has a built in rubber insulator to fully enclose the phases in insulating material.



2C • 15KV & 25KV PTFE INTERLOCK COVER

Also called a shorting cover an interlock cover connects the ground and ground check when the cover is in place and allows other outputs on the circuit to be energized without tripping the ground check monitor. The PTFE interlock covers are similar to our rubber 15KV covers but with all the advantages of PTFE, including being an easy to clean hydrophobic material, is not reactive in acidic environments, and does not track when exposed to high electrical stress. Specify 15 or 25KV when ordering cover separately.



3/3A • KIRKLOCK WITH COVER

A Kirklock is a brand of lock that is used as a mechanical interlock to prevent couplers from being opened or covers from being removed when the power is on. All Kirklock equipped couplers come with a dust cover (suffix 3) or an optional weatherproof cover (suffix 3A). Locks can be keyed alike or differently and serial numbers are tracked so future orders can be matched or differentiated.



3B • PADLOCK PROVISION

The padlock provision enables the user to use a standard padlock (not included) to either lock the cover in place or to lock two couplers together. Padlock devices can be used as a self-managed interlock system or for security.



Coupler Options



4/4A/4B • ADDITIONAL GROUND CHECKS

Additional ground checks provide for redundancy in the ground check system. TJB high voltage couplers come standard with one ground but can accommodate two (suffix 4), three (suffix 4A), or four (suffix 4B) total ground checks. In all configurations every ground check makes contact after the phase and ground contacts and breaks contact before the phase and ground contacts, ensuring that there is never an improper signal path.



5 • LARGE END BELL FOR CABLE OVER 3"

Cable over 3" diameter requires the use of our large end bell and cable entrance. Our large end bell is approximately 2" taller than our standard bell and has a larger cable opening resulting in a larger interior volume.

5A • LARGE BELL FOR CABLE UNDER 3"

Our standard will fit cable up to 3" in diameter, but if you need more room we also offer our large end bell with clamps to fit cable sizes smaller than 3".



5B • LARGE BELL W/EXTENSION FOR CABLE OVER 3"

When you have large cable and you want a lot of interior bell space we can provide an additional 4.75" extension with our large end bell. The extension is made of solid aluminum to match the sturdiness of the rest of the coupler housing and attaches with six 1/4-20 bolts to ensure a sturdy water tight fit.

5C • LARGE BELL W/EXTENSION FOR CABLE UNDER 3"

Occasionally when adding multiple extra features to the coupler there is a desire for as much space as possible even with a smaller cable size. For those cases we offer our large bell with a 4.75" extension and clamps that can be sized for even the smallest cables. The extension is made of solid aluminum to match the sturdiness of the rest of the coupler housing and attaches with 6 1/4-20 bolts to ensure a sturdy water tight fit.



6 • FOUR HOLE FOOT

Our standard feet mount the coupler with 2 bolts and are designed to reduce weight and facilitate easier coupler movement, when extra mounting security is preferred we also offer a single piece four hole foot and as the name implies mounts the coupler using 4 bolts. The larger foot attached to the coupler using the same bolts as the standard feet and can be added after the initial sale with no modifications.



8A • FIBER OPTIC EXIT GLAND

For cable with an included fiber optic line that needs to connect to a panel mounted connector or another connector outside of the coupler we can supply an exit gland in the end bell. The exit gland is a compression fitting with a rubber gasket sized to your specific fiber optic cable. We also include a plug sized for the exit gland to maintain a water tight seal even if the fiber optic cable is not in use.

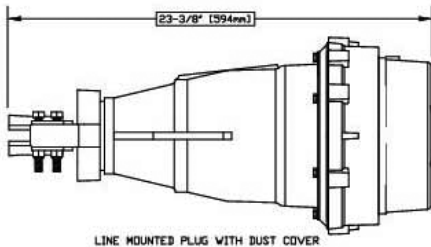


9/9A • HARD ANODIZED AND/OR EPOXY PAINT

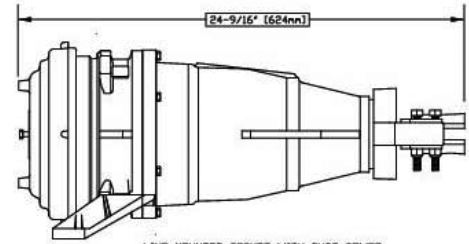
Our heavy duty aluminum housings are built to withstand almost all exposure conditions, but there are instances where even more protection is called for. In port operations where couplers are often submerged in or exposed to heavy amounts of salt water it is worthwhile to protect the coupler housing with either a hard anodized (suffix 9), or epoxy paint (suffix 9A) coating to extend the service life of the external parts.

TJB Coupler Dimensions

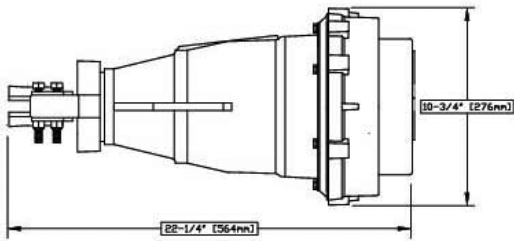
TJB HIGH VOLTAGE LINE MOUNTED NO-THREAD COUPLER DIMENSIONS



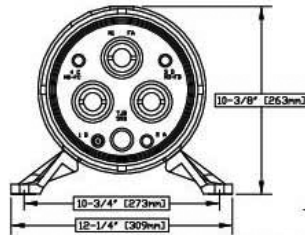
LINE MOUNTED PLUG WITH DUST COVER



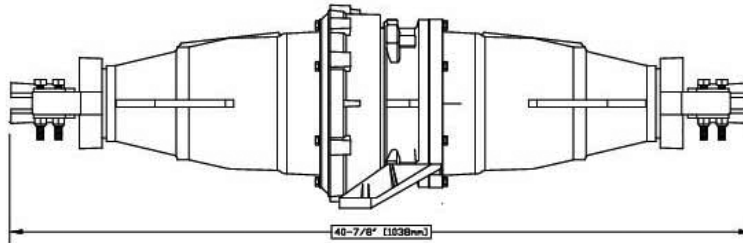
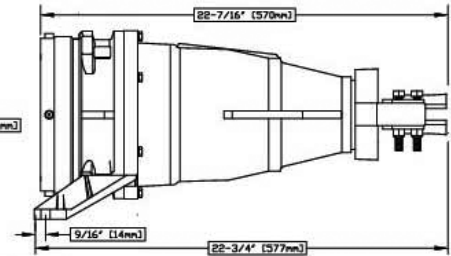
LINE MOUNTED SOCKET WITH DUST COVER



LINE MOUNTED PLUG



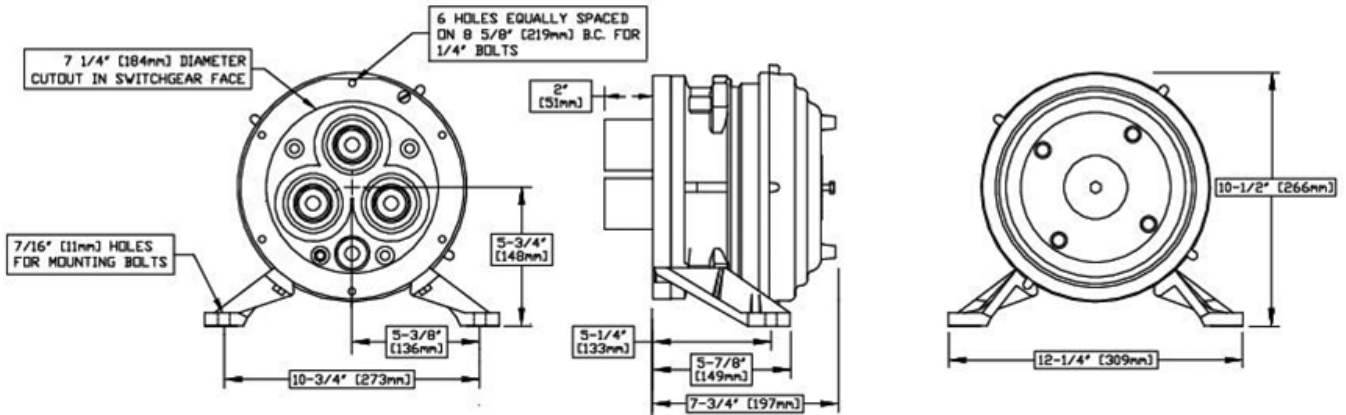
LINE MOUNTED SOCKET



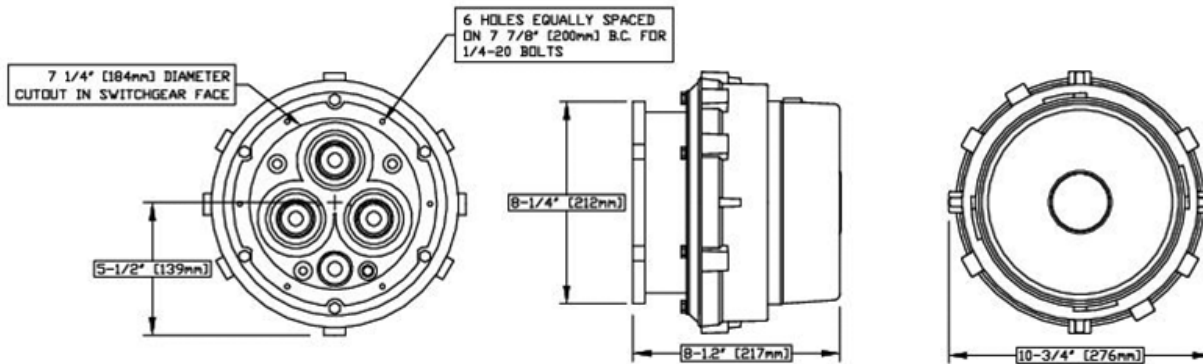
CONNECTED LINE MOUNTED PLUG AND SOCKET

TJB Coupler Dimensions

TJB SOCKET SWITCHGEAR MOUNTED COUPLER DIMENSIONS



TJB PLUG SWITCHGEAR MOUNTED COUPLER DIMENSIONS



PLM • Cable Coupler Selection Guide

PORTABLE CABLE SYSTEMS COUPLERS/PLUGS-RECEPTACLES CABLE COUPLERS IDENTIFICATION & APPLICATION

Basic nomenclature identifies the metallic shell (Plug or Socket) first, the type of contact (Male or Female) second. For switchgear or other non-cable mounted units, the letter G suffix designation is added. Example of the PLM Catalog number system is as listed:

- PMG 415A** Plug, male contacts, switchgear mount, with ground check contact.
- PML 415A** Plug, male contacts, line mount, with ground check contact.
- SFL 415A** Socket, female contacts, line mount, with ground check contact.
- SFG 415A** Socket, female contacts, switchgear mounted, with ground check contact.

PLM CABLE COUPLER SELECTION GUIDE

*** Thread**

- *Q Prefix PLM Quick Thread style double start Acme thread
- T Quick Turn Ramp Style
- B Bolted Quick-Flip
- X Permissible
- Blank Standard Thread

Housing

- S Socket
- P Plug

Contacts

- F Female
- M Male

Mounting

- G Gear Mount
- L Line Mount

VOLTAGE CLASS & END BELL SIZE

- Fiberglass Insulator **475 or 575**
- EPDM Insulator **415 or 515 Dura-Tube**
- Nylon Polymer Insulator **055 X Series Permissible**

Ground Check

- A One Contact Included
- AA Two Contacts
- AAA Three Contacts
- AAAA Four Contacts

ADDED FEATURES

- B Interlock contacts in cover for plug
- BB Interlock contacts in cover for socket
- C Kirklock sockets only
- D Pan skid mount
- L Insulation in plug cover
- N Non-interchangeable amperage or voltage index
- P Padlock provision socket
- R Insulation in socket cover
- TF Teflon Insulator
- Z Beryllium contacts

To Order, Provide:

- Conductor sizes of phase, ground wires, and ground check wire.
- Overall cable diameter.

EXAMPLE

Q P M L 4 1 5 A B

Quik Thread | Plug | Male Contacts | Line Mount | Dura-Tube Insulator | One Ground Check Connector | Interlock Cover For Plug

Applications

- Extending Portable Cables
- Mine Power Centers
- Electric Shovels, Drills, Draglines
- Tunneling Machines
- Transformer Connections
- Barge, Ship-Dock Applications
- Turbine Generators
- Motor Disconnect 600V-15kV to 500 Amp
- Filling Compounds

Features

- Corrosion-Resistant Aluminum
- Electrically Tested Insulator
- Silver-Plated Copper Contacts
- Ground Check System
- Portable Cable Connections
- Switchgear or Equipment Mounting
- Standard Cover Included
- FSD Terminations Included
- Interlock Covers Available

Benefits

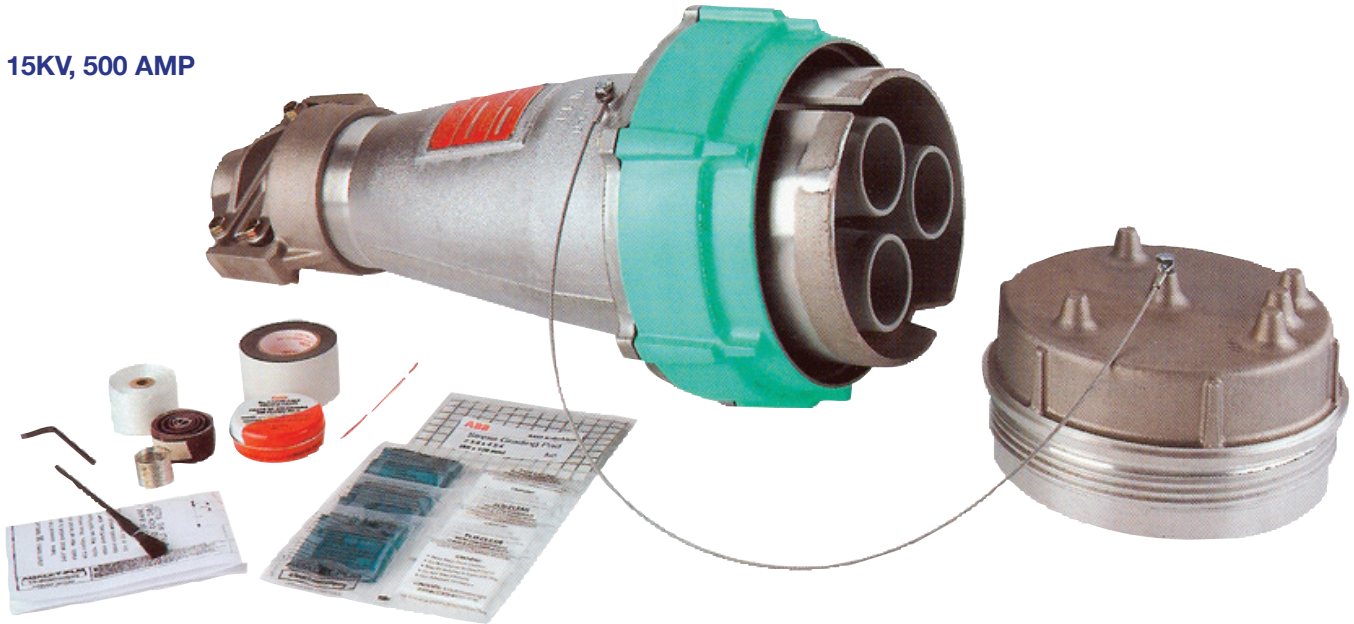
- Physical, Electrical Protection
- Quick, Connect-Disconnect
- Provides Proper Phase Alignment
- Longer Coupler Life
- Entirely Watertight
- Easy Installation

Compliance

- Pennsylvania Bureau of Deep Mine Safety

PLM • 415/515 Series Cable Couplers (Standard EPDM Insulators)

15KV, 500 AMP



OPTIONS AVAILABLE AT ADDITIONAL COST

Catalog Number Suffix	Additional Options
-A	Ground check circuit contact (1) included
-AA	Two ground check circuit contacts
-B	Cover interlock for plug
-BB	Cover interlock for socket
-C	Kirk interlock (key type)-sockets only
-E	Electrolytic copper contacts-female
-L	Cover/insulator assembly for plug
-N	Non-interchangeable amperage or voltage index
-P	Padlock provision-socket
-R	Cover/insulator assembly for socket
-Z	Beryllium contacts-male
-TF	Teflon Insulator

Features

- Corrosion-resistant aluminum
- Rigid, non-breakable EPDM insulators
- 500 Amp contacts
- Portable cable mounting
- Switchgear or equipment mounting
- Standard cover, stress control kit instructions included

Benefits

- Superior electrical and physical protection
- Fewer mating problems
- Quicker installation
- Quick connect-disconnect
- Versatile application

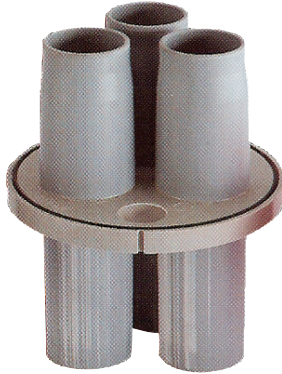
Compound is not included and is not required up to 7,500 volts. Above 7,500 Volts and when compound is required, use COLDPOUR® Compound. Do not use asphalt compound with EPDM style couplers. Compound mandatory for 15kv.

Catalog Number Standard Threads	Catalog Number ACME Quick-Thread	Catalog Number Quick-Turn	Catalog Number Quick-Flip	Description	Ship Wt. (lbs.)
SFG 415A	QSFG 415A	TSFG 415A	BSFG 415A	Equipment mounted couplers Socket, Female Contacts Plug, Male Contacts	34
PMG 415A	QPMG 415A	TPMG 415A	BPMG 415A		34
SFL 415A	QSFL 415A	TSGL 415A	BSFL 415A	Line-mounted couplers 1.50 - 3.50 O.D. Cables Socket, Female Contacts Plug, Male Contacts	51
PML 415A	QPML 415A	TPML 415A	BPML 415A		51
SFL 515A	QSFL 515A	TSFL 515A	BSFL 515A	3.50 - 4.50 O.D. Cables Socket, Female Contacts Plug, Male Contacts	53
PML 515A	QPML 515A	TPML 515A	BPML 515A		53

PLM • Electrical Characteristics

415/515 Series Cable Couplers (Standard EPDM Insulators)

15KV, 500 AMP



Electrical Characteristics

- Maximum Voltage Phase-to-Ground
- 1 Minute Dry Withstand AC
- 6 Hour Dry Withstand DC
- 15 Minute Dry Withstand DC
- Corona Extinction level
- Basic Impulse level

No Compound

5.5 KV rms
35.0 KV rms
25.0 KV rms
65.0 KV rms
7.5KV rms
75.0KV crest

With Compound

8.7 KV rms
45.0 KV rms
35.0 KV rms
75.0 KV rms
11.0 KV rms
95.0 KV crest

All tests per IEEE Standard 48-1990

415/515 Series Cable Couplers (Teflon Insulators)

15KV, 500 AMP



Electrical Characteristics

- Maximum Voltage Phase-to-Ground
- 1 Minute Dry Withstand AC
- 6 Hour Dry Withstand AC
- 15 Minute Dry Withstand DC
- Corona Extinction Level
- Basic Impulse Level

No Compound

5.5 KV rms
35.0 KV rms
25.0 KV rms
65.0 KV rms
7.5KV rms
75.0KV crest

With Compound

8.7 KV rms
45.0 KV rms
35.0 KV rms
75.0 KV rms
11.0 KV rms
95.0 KV crest

All tests per IEEE Standard 48-1990

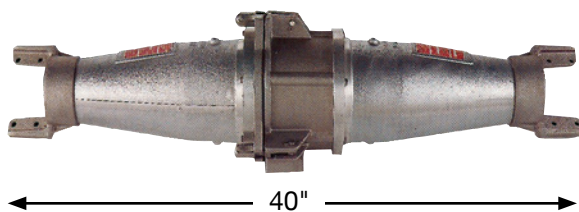
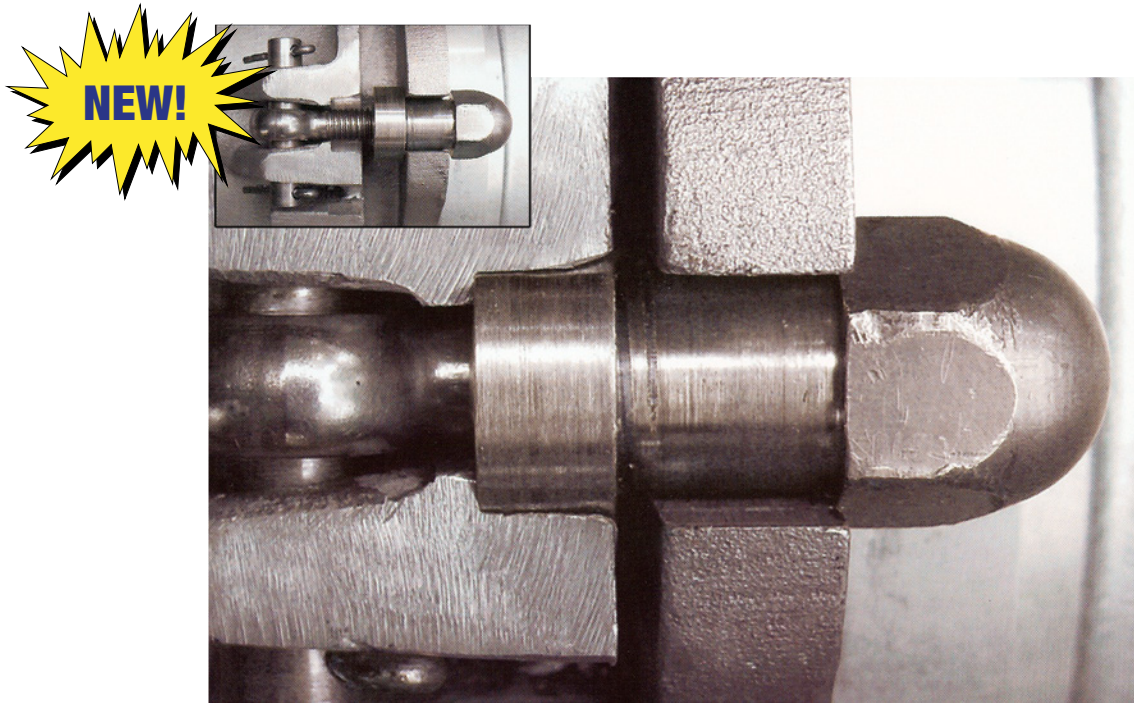
PLM • Connection Options

Quik-Flip Bolted Coupler Connection

PLM's new Quik-Flip connection option is ideal for harsh environments where excessive dirt and other contaminants can seize threads and cause coupler damage. The innovative flip-bolt design utilizes stainless steel bolts that provide a one-second time delay between ground check and phase contact disengagement.

OTHER OPTIONS (AVAILABLE ON 415/515 AND 475/575 SERIES COUPLERS)

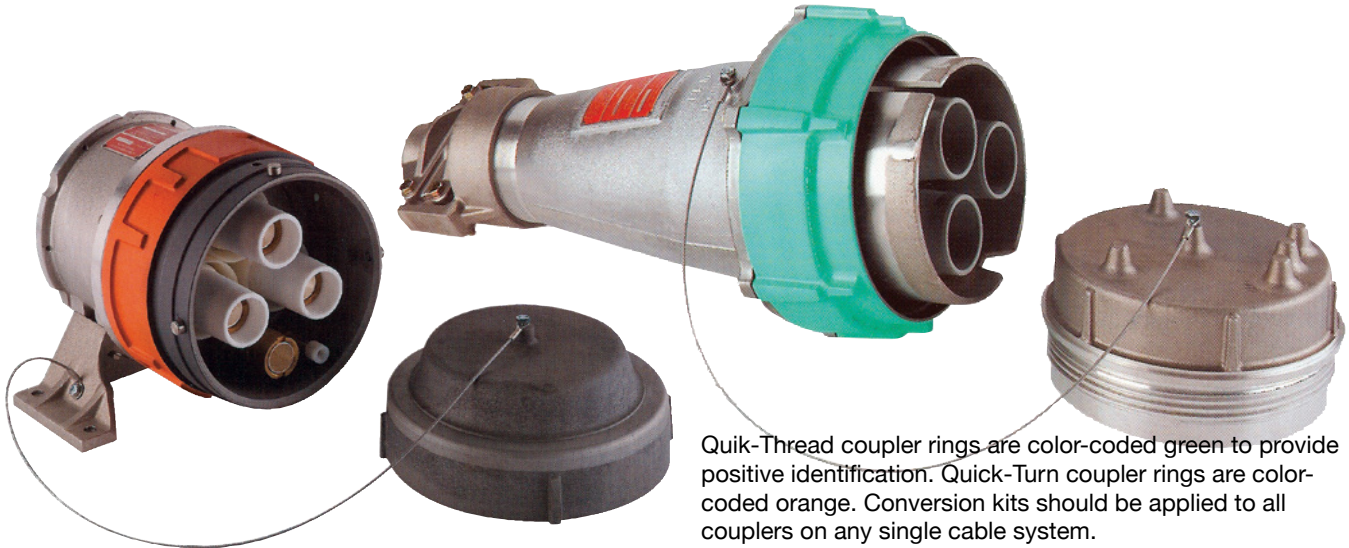
- B-Pitch Thread (standard)
- Quik-Thread Double-Start ACME Thread, (Color-Coded Green. (use prefix "Q" when ordering)
- Quik-Turn Ramp Style Quarter-Turn, Color-coded Orange. (use prefix "T" when ordering)



Catalog Number Quik-Flip <i>EPDM Insulators</i>	Catalog Number Quik-Flip <i>Teflon Insulators</i>
BSFG 415A BPMG 415A	BSFG 415ATF BPMG 415ATF
BSFL 415A BPML 415A	BSFL 415ATF BPML 415ATF
BSFL 515A BPML 515A	BSFL 515ATF BPML 515ATF

PLM • Conversion Kits QT

Any cable coupler, line mount or gear mount, may be converted to Quik-Thread, Quik-Turn, or Quik-Flip style. These style couplers will not mate with standard 8 pitch thread couplers; therefore, it is necessary to change the socket body, lock ring, and covers. Select the correct conversion plug or socket kit from the table below. Kits include only the thread parts which must be changed, plus new screws and gaskets.



Quik-Thread coupler rings are color-coded green to provide positive identification. Quik-Turn coupler rings are color-coded orange. Conversion kits should be applied to all couplers on any single cable system.

Catalog Number Standard Threads	Acme Thread Parts Furnished	Description
QKP-8 TKP-8 BKP-8	Plug cover and lock ring	Replacement for plug-style couplers. Includes plain cover (without drilling for pilot or ground contacts).
QKP-M/F-8 TKP-M/F-8	Plug cover (drilled for pilot and ground contacts) and left ring	Replacement for plug-style couplers. Includes cover drilled for ground and pilot contacts (male or female), Customer to use existing contacts.
QKP-M/F-15 TKP-M/F-15	Plug cover (drilled for pilot and ground contacts and for cover insulator assembly) and lock ring	Replacement for plug-style couplers. Includes over drilled for ground and pilot contacts (male or female) and for cover insulator assembly. Customer to use existing contacts and cover insulator assembly.
QKS-8 TKS-8 BKS-8	Socket cover and socket body	Replacement for socket-style couplers. Includes over ring to be used with existing cover. Customer to use existing contacts.
QKS-M/F-8 TKS-M/F-8	Socket cover ring and socket body	Replacement for socket-style couplers Includes cover ring to be used with existing cover and cover insulator assembly. Customer to use existing contacts.
QKS-M/F-15 TKS-M/F-15	Socket cover ring and socket body	Replacement for socket-style couplers Includes cover ring to be used with existing cover and cover insulator assembly. Customer to use existing contacts.

PLM • Accessories

Coupler Contact Insulation (Cleaning Kit)

Compound filling can prevent condensation and provide added protection in wet locations. Asphaltic compounds cannot be used with EPDM insulation's. For those customers who may wish to use compound, ADALET offers a COLDPOUR® compound which does not require heating for installation or removal. Suitable for all couplers. No shrinkage or waste. Approximately 2-hour gel time.

Catalog Number	Description	Ship Wt. (lbs.)
CP-24	1-5/8 gal. 2-part mix for one LINE mount or two GEAR mount couplers, Series 415 or 475 coupler.	13
CP-50	1-7/8 gal. 2-part mix for one LINE mount Series, 515 or 575 coupler.	14
CP-55	2-1/4 gal. 2-part mix for one Suffix-X LINE mount coupler with extended end bell.	24



*Shelf life, 6 mos. Should be installed at normal room temperature.

Coupler Contact Insulation (Cleaning Kit)

Dirt contamination can cause electrical failures. The mating contact insulators can be efficiently cleaned with the PCK100 Cleaning Kit.

Kit consists of 16-oz. aerosol can of non-flammable electrical parts cleaner, bristle brush, two white wiping cloths and polyethylene glove. Ozone-safe spray can contains no fluorocarbons.

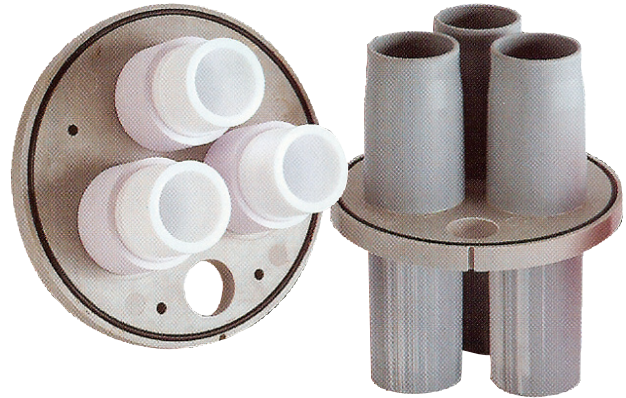
Catalog Number	Description	Ship Wt. (lbs.)
PCK-100	Cleaning Kit	1-1/2



PLM • Accessories

Replacement Coupler Insulators

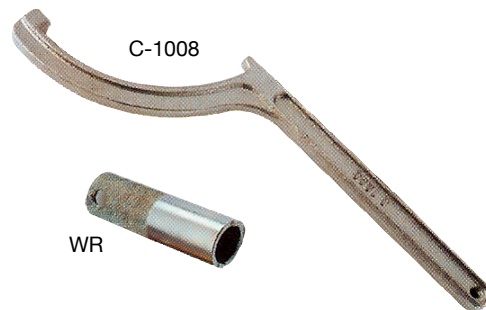
Insulator kits to replace polyester fiberglass and cone seal style insulators. Complete package includes rigid, unbreakable insulator tubes with flame-retardant flange and all necessary conductor and insulation shield terminating material except contacts. May be used with existing PLM Couplers. Add COLDPOUR® for 15kV applications.



Catalog Number	Description	Ship Wt. (lbs.)
K 415 F	For female line plugs or sockets.	10
K 415 M	For male line plugs or sockets.	10
K 415 FG	For female gear-mount plugs or sockets.	8
K 415 MG	For male gear-mount plugs or sockets.	8

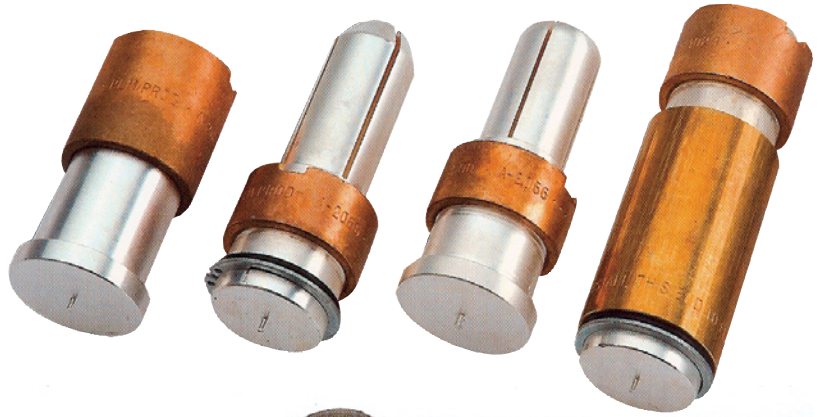
Coupling and Contact Wrenches

Catalog Number	Description	Ship Wt. (lbs.)
WR	Contact wrench for 415, 515, 475, S75 series.	1
C-1008	Coupling wrench (Aluminum) for 415, 515, 475, 575 series.	1
C-1008-S	Coupling wrench (Steel) for 415, 515, 475, 575 series.	3



PLM • Spare Parts

PLM phase and ground contacts can be modified to meet your specific cable requirements. Simply specify the phase and ground conductor diameter and PLM will machine the parts to your specifications.



PLM couplers and accessories are utilized in some of the world's most extreme environments. PLM offers a full line of spare parts for use in maintaining, rebuilding, or repairing used couplers. All individual coupler parts are available for purchase. Most are in stock (and available for immediate shipment). Contact PLM or your local PLM distributor for price and availability information.



PLM • Fittings For Metal Clad Cable

FEATURES/BENEFITS

- Slip-on design with no disassembly for easy installation.
- Neoprene bushing for raintight seal.
- Locknuts, bushings and flange gasket included - no additional materials to purchase.
- Flange gasket prevents moisture penetration through threads.
- Made from copper-free aluminum alloy for corrosion resistance.
- Fits broad range - .351-4.62 cable O.D.

APPLICATION

- For terminating metal clad cable

CERTIFICATION



TO ORDER

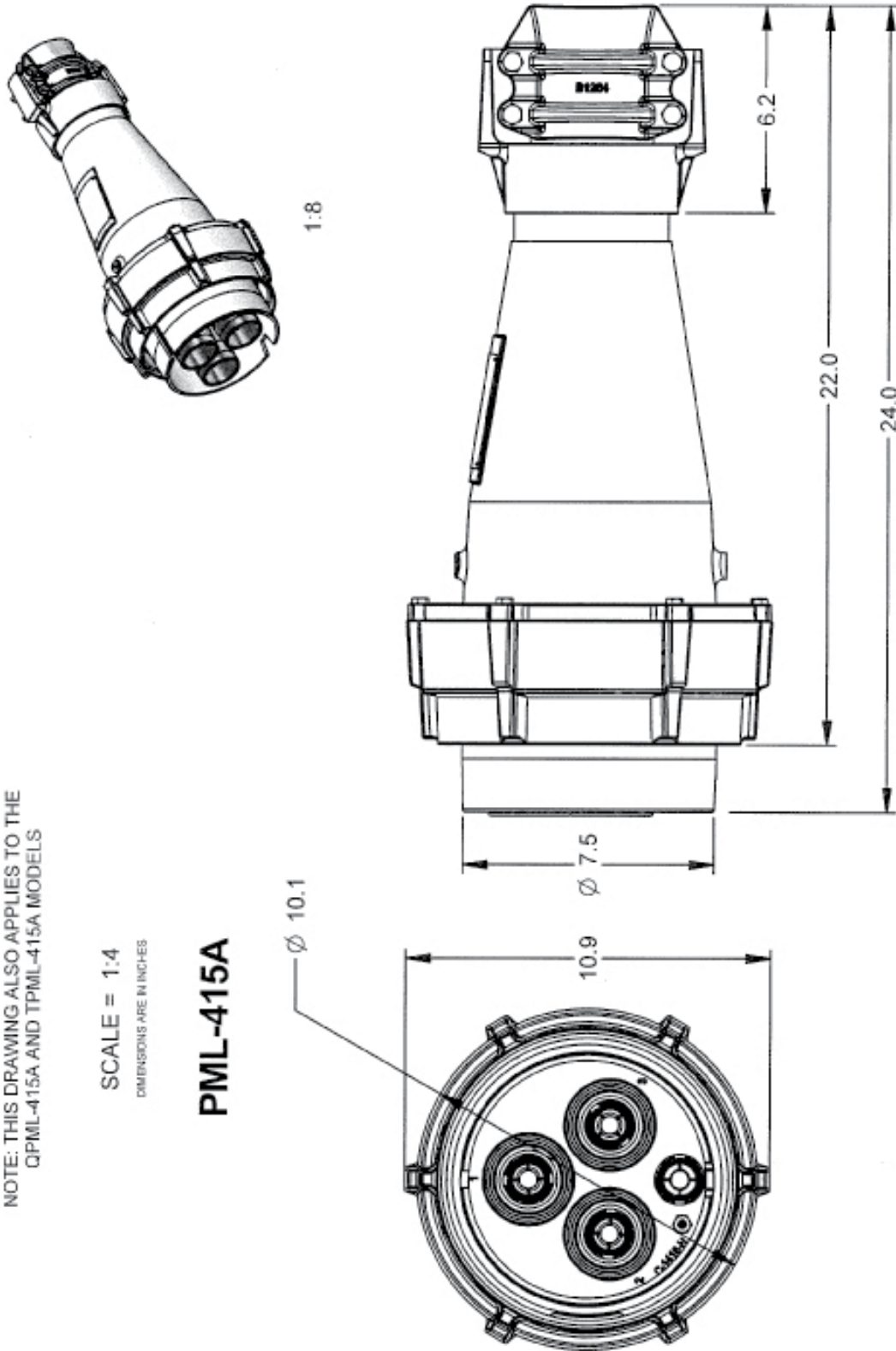
DETERMINE SATISFACTORY FIT BY CHECKING CABLE DIMENSIONS A AND B. IF CABLE DIMENSIONS DO NOT FALL WITHIN ACCEPTABLE RANGE, CONSULT FACTORY.

Catalog Number Ship Wt.	A Dia. Over Jacket	B Core Dia.	C Max. Cable Size	D Conduit O.D.	E Fitting Overall	Length (Lbs.)	
JAG 45-0S	.35	.45	.61	1/2	1-5/8	2-1/4	1/4
JAG 55-05	.45	.55	.61	1/2	1-5/8	2-1/4	1/4
JAG 65-05	.55	.65	.61	1/2	1-5/8	2-1/4	1/4
JAG 75-05	.65	.75	.61	1/2	1-5/8	2-1/4	1/4
JAG 85-05	.75	.85	.61	1/2	1-5/8	2-1/4	1/4
JAG 95-05	.85	.95	.61	1/2	1-5/8	2-1/4	1/4
JAG 99-07	.85	.99	.81	3/4	2	2-5/8	1/3
JAG 107-07	.92	1.07	.81	3/4	2	2-1/4	1/3
JAG 113-07	.98	1.13	.81	3/4	2	2-1/4	1/3
JAG 121-07	1.07	1.21	.81	3/4	2	2-1/4	1/3
JAG 112-10	1.00	1.12	1.00	1	2-3/8	3-1/16	1/2
JAG 125-10	1.12	1.25	1.00	1	2-3/8	3-1/16	1/2
JAG 138-10	1.22	1.38	1.00	1	2-3/8	3-1/16	1/2
JAG 138-12	1.28	1.38	1.25	1-1/4	2-7/8	3-3/8	2/3
JAG 156-12	1.38	1.56	1.25	1-1/4	2-7/8	3-3/8	2/3
JAG 174-12	1.56	1.74	1.25	1-1/4	2-7/8	3-3/8	2/3
JAG 188-12	1.74	1.88	1.25	1-1/4	2-7/8	3-3/8	2/3
JA6 174-15	1.60	1.74	1.63	1-1/2	3-1/4	4-1/16	1
JAG 188-15	1.74	1.88	1.63	1-1/2	3-1/4	4-1/16	1
JAG 200-15	1.88	2.00	1.63	1-1/2	3-1/4	4-1/16	1
JAG 218-15	2.00	2.18	1.63	1-1/2	3-1/4	4-1/16	1
JAG 219-20	2.05	2.19	2.09	2	4	4-5/16	1-1/2
JAG 236-20	2.19	2.36	2.09	2	4	4-5/16	1-1/2
JAG 247-20	2.35	2.47	2.09	2	4	4-5/16	1-1/2
JAG 261-20	2.47	2.61	2.09	2	4	4-5/16	1-1/2
JAG 263-25	2.46	2.63	2.49	2-1/2	4-23/32	5-7/16	2-1/2
JAG 280-25	2.62	2.80	2.49	2-1/2	4-23/32	5-7/16	2-1/2
JAG 296-25	2.80	2.96	2~49	2-1/2	4-23/32	5-7/16	2-1/2
JAG 297-30	2.80	2.97	3.11	3	5-3/32	5-3/4	3
JAG 311-30	2.95	3.11	3.11	3	5-3/32	5-3/4	3
JAG 327-30	3.10	3.27	3.11	3	5-3/32	5-3/4	3
JAG 343-30	3.26	3.43	3.11	3	5-3/32	5-3/4	3
JAG 359-30	3.42	3.59	3.11	3	5-3/32	5-3/4	3
JAG 375-35	3.52	3.75	3.61	3-1/2	5-11/16	5-13/16	3-1/4
JAG 392-35	3.75	3.92	3.61	3-1/2	5-11/16	5-13/16	3-1/4
JAG 412-35	3.90	4.12	3.61	3-1/2	5-11/16	5-13/16	3-1/4
JAG 423-40	4.05	4.23	4.11	4	6-3/32	5-13/16	3-1/2
JAG 437-40	4.20	4.37	4.11	4	6-3/32	5-13/16	3-1/2
JAG 4S1-4B	4.34	4.51	4.11	4	6-3/32	5-13/16	3-1/2
JAG 462-40	4.43	4.62	4.11	4	6-3/32	5-13/16	3-1/2

NOTE: THIS DRAWING ALSO APPLIES TO THE
QPML-415A AND TPML-415A MODELS

SCALE = 1:4
DIMENSIONS ARE IN INCHES

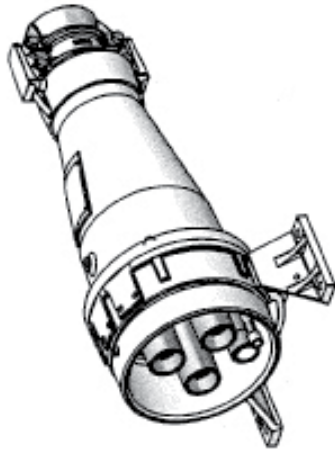
PML-415A



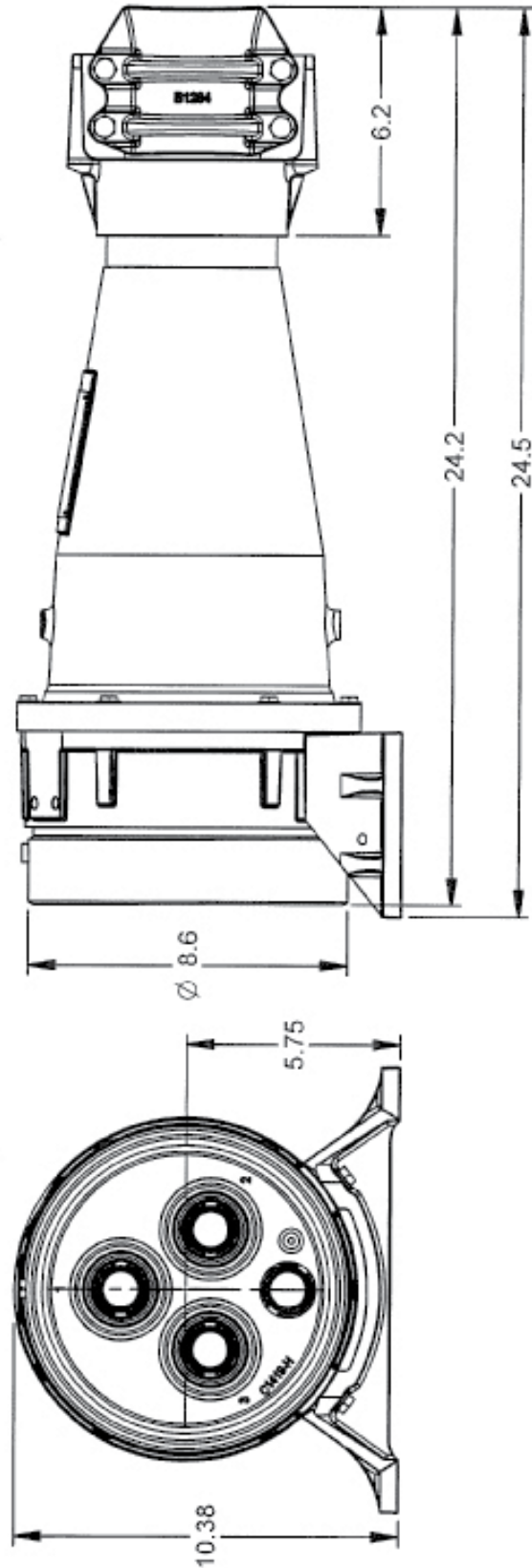
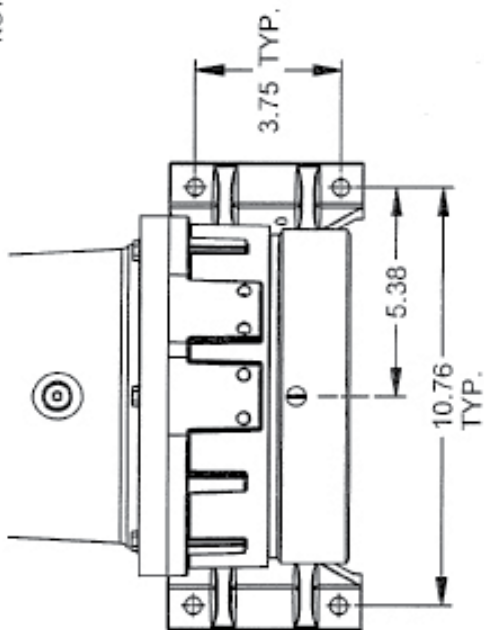
NOTE: THIS DRAWING ALSO APPLIES TO THE
QSFL-415A AND TSFL-415A MODELS

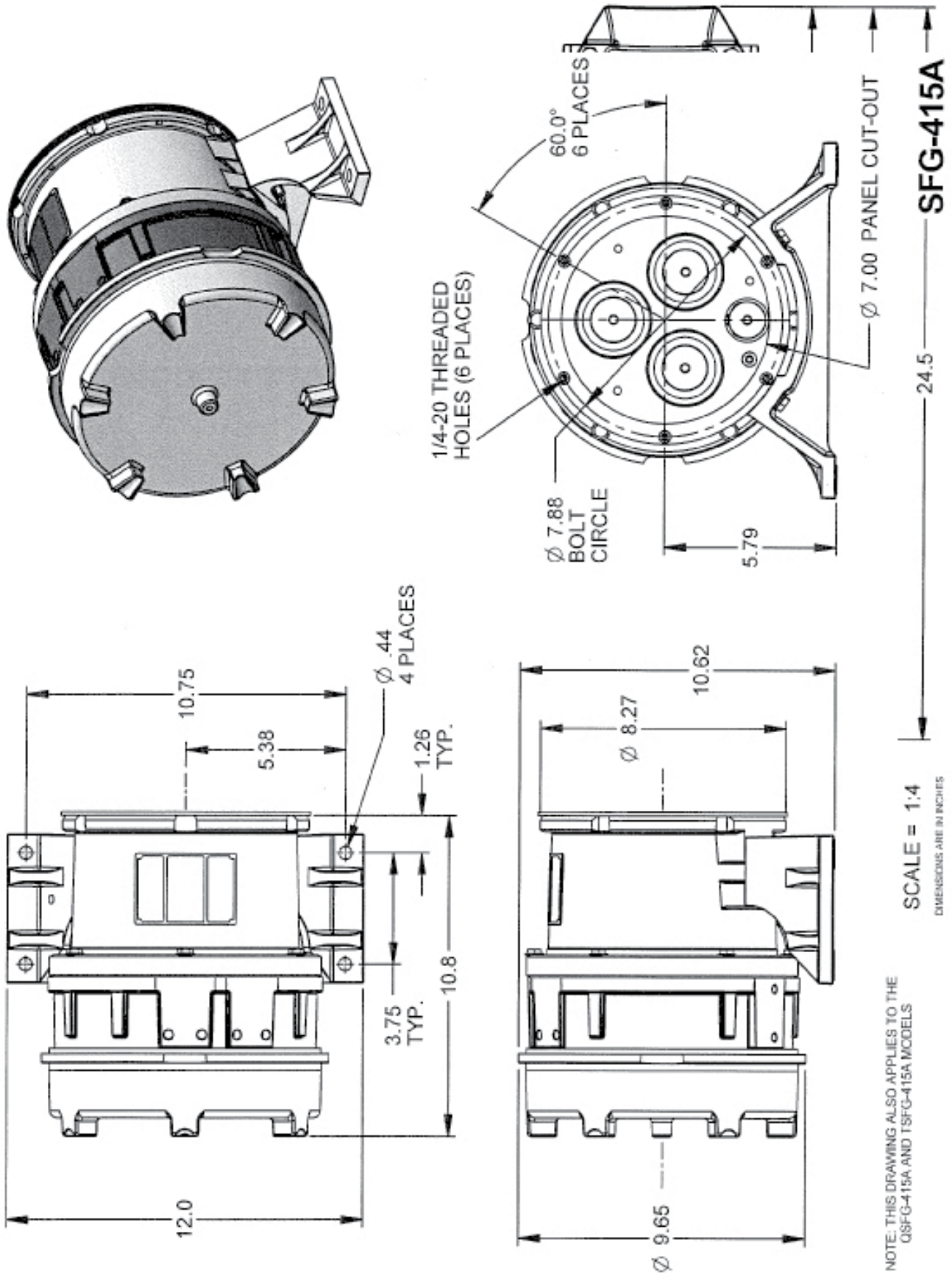
SCALE = 1:4
DIMENSIONS ARE IN INCHES

SFL-415A

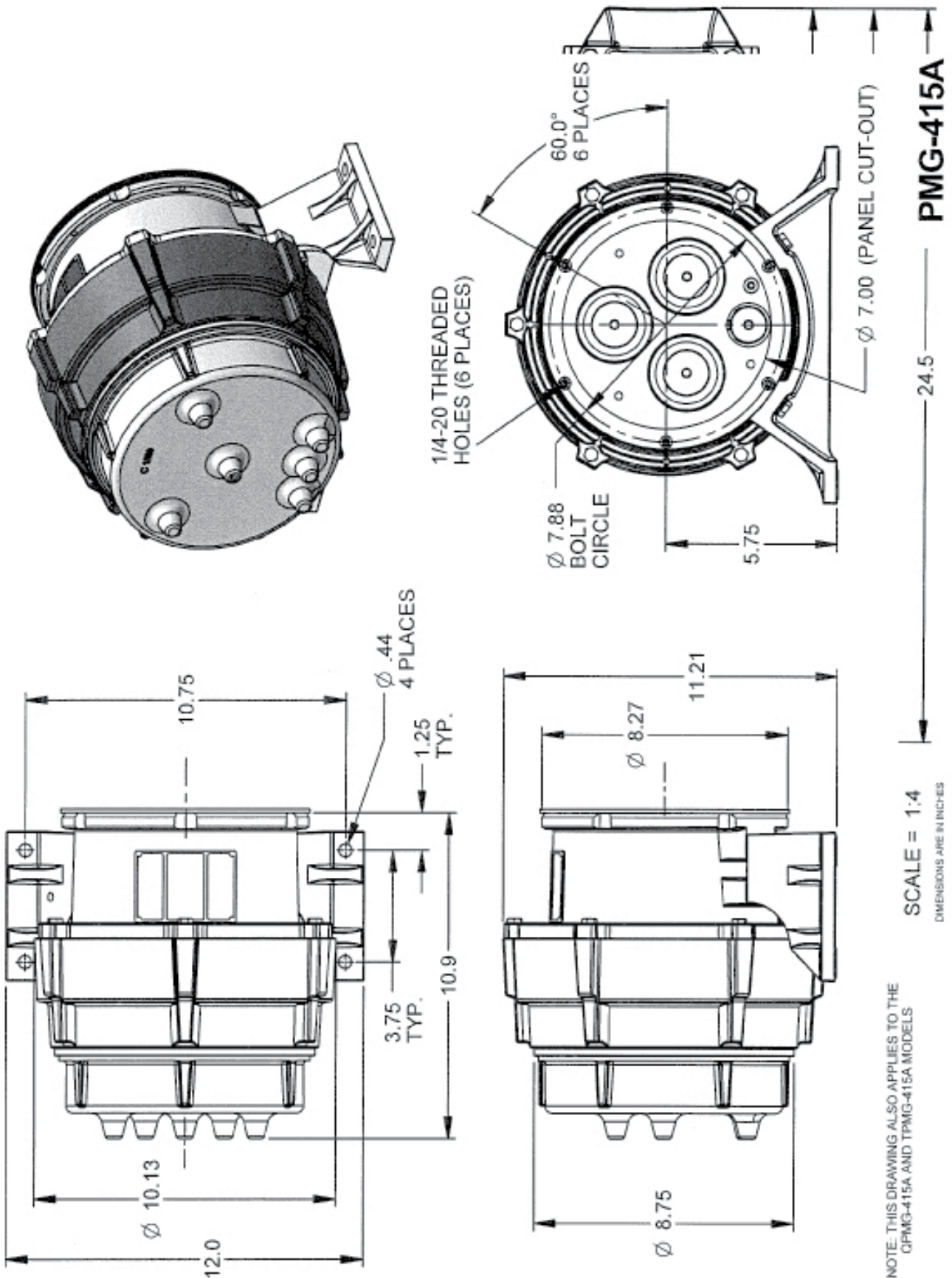


1:8





NOTE: THIS DRAWING ALSO APPLIES TO THE QSG-415A AND TSG-415A MODELS





Standard Terms and Conditions

CONTRACT AND ACCEPTANCE

The terms and conditions of sale ("Terms") apply to all sales from Special Mine Services, Inc. ("Seller" or "SMS") to the entity placing the order ("Buyer") and the Terms will prevail over any inconsistent terms of Buyer's purchase order or other documents. Additional or different terms and conditions in any way altering or modifying these Terms are expressly objected to by SMS and will not bind SMS unless specifically accepted in writing by SMS' authorized representative. NO modification or alteration of these Terms will result by SMS' shipment of products following receipt of Buyer's purchase order, or other document containing additional, conflicting, or inconsistent terms. There are no terms, conditions, agreements other than those stated herein and on SMS' acknowledgment of the order ("Acknowledgement"), and all prior proposals and negotiations are merged herein. These Terms are binding on SMS and Buyer and their respective successors and permitted assigns. Notwithstanding the foregoing, if the parties have entered into a distribution agreement, the terms of the distribution agreement may alter and modify these Terms, if so stated in the distribution agreement. SELLER'S ACCEPTANCE OF BUYER'S PURCHASE ORDER IS EXPRESSLY CONDITIONED ON BUYER'S ASSENT TO THESE TERMS. The failure of Seller to object to any provision in conflict herewith whether contained on Buyer's purchase order or otherwise, shall not be construed as a waiver of these Terms nor as an acceptance thereof.

PRICES

All quotations expire 30 calendar days from the date of quotation unless withdrawn sooner. Prices of products scheduled for shipment more than 12 months after the date of Buyer's order shall be subject to escalation. Unless otherwise expressly stated, all prices are in United States Dollars and payment shall be in United States Dollars.

PAYMENT TERMS

Unless otherwise specified on the SMS order acceptance form, upon approved credit the following terms will apply:

1. 1% cash discount within ten days of invoice date.
2. Net 30 days.

Seller reserves the right to require advanced payment or satisfactory security for any product purchased, if the financial performance or credit worthiness of Buyer is unsatisfactory to Seller. [Such security includes, but is not limited to, execution by Buyer of a promissory note, security agreement, financing statement and/or personal guaranty.] If Buyer fails to make timely payment or otherwise fails to comply with any provision hereof, Seller may, at its option (and in addition to other remedies), cancel any unshipped portion of the order; in such event, Buyer will remain liable for all unpaid accounts.

SHIPPING SCHEDULE

Seller will establish estimated shipping schedules as closely as practicable in accordance with Buyer's requested delivery date. However, Seller will not be responsible for deviations in meeting shipping schedules nor for any losses or damages to Buyer (or any third person) occasioned by any Force Majeure event, as defined herein. Seller reserves the right to ship in advance of any Buyer request dates, except those dates stipulated not before. SMS may make partial shipments at its discretion, invoicing each shipment as it is made but on terms applicable to the complete order. Should shipment be held beyond scheduled date for the convenience of Buyer, the Seller reserves the right to bill immediately for the products and to charge Buyer for all expenses incident to such delay.

TAXES & IMPORT AND EXPORT DUTIES

Unless the shipping terms in the Seller's Acknowledgement specify differently, Seller's prices do not include, and Buyer shall pay for: any applicable sales, use, excise or similar taxes, or any import or export duties, freight (unless otherwise specified herein), insurance and inspection charges, or any other fees, duties or charges incurred in connection with any products ordered. If, under any law or governmental requisition the Seller is required to pay or collect any tax, or any import or export duties or charges, upon the products included in the order or predicated upon, measured by or arising from the sale, transportation, delivery, use or consumption of said products whether directly or indirectly, the price to be paid by the Buyer hereunder shall be increased by the amount of any such tax, duty, or charge. Buyer agrees to pay such tax, duty, or charge as part of the purchase price.

ADDITIONS AN/OR CHANGES

Buyer shall pay Seller's reasonable charges for changes in contract quantities, schedules, materials or services agreed to by Seller.

TERMINATION

In the event that Buyer terminated all or any portion of its order, Seller shall have the right to charge Buyer for all costs already incurred by Seller including the price of any goods or services required to fill this order already committed to by Seller and a reasonable allowance for overhead and profit. Seller in its sole discretion shall have the right to manufacture the products provided hereunder as far in advance of its estimated shipping schedule as it deems appropriate.

CLAIMS, SHORTAGES, RISK OF LOSS, AND TITLE

Any claims for loss, breakage or damage (obvious or concealed) are Buyer's responsibility and should be made to the carrier. Seller will render Buyer reasonable assistance in securing satisfactory adjustment of such claims. Any notice of shortages or other errors must be made in writing to Seller within 15 days after receipt of shipment. Failure to give such notice shall constitute unqualified acceptance and a waiver of all claims by Buyer.

Risk of loss will pass to Buyer pursuant to the applicable Incoterm or other shipping term, and if no Incoterm/shipping term is used, risk of loss will pass on delivery to the common carrier at SMS at the point of shipment. Shipment will be made by surface freight unless instructed to do otherwise by Buyer. Title to the products sold hereunder passes to Buyer upon payment of the full purchase price.

WARRANTIES

All of Seller's drawings, descriptive matter, weights, dimensions, descriptions and illustrations contained in Seller's catalogues, price lists, or advertisements are approximate only and intended merely to give a general idea of the products described therein and do not form part of the parties' agreement. Notwithstanding the foregoing, the Seller warrants that the ordered products that were manufactured by SMS conform to any applicable drawings and specifications accepted in writing by Seller and will be free from any defects in material and workmanship for a period of 12 months from the date of installation. If, within that period, the Seller receives from Buyer written notice of any alleged defect in or non-conformance of any product, and it, in the Seller's sole judgement the product does not confirm or is found to be defective in material or workmanship, then, Buyer shall, at Seller's request, return the part or product F.O.B. Seller's Factory, and Seller, at its option and expense, shall repair or replace the defective part or product or repay to Buyer the full price paid for such part or product by Buyer. Any purchase price repayment shall be without interest. Seller's sole responsibility, and Buyer's exclusive remedy hereunder shall be limited to such repair, replacement, or repayment of the purchase price as above provided.

Component parts and accessories not of the Seller's manufacture are warranted only to the extent that they are warranted to the end user by the manufacturers thereof.

THERE ARE NO OTHER WARRANTIES, EXPRESS, STATUTORY OR IMPLIED, INCLUDING THOSE OF MERCHANTABILITY AND OF FITNESS FOR PURPOSE; NOR ANY AFFIRMATION OF FACT OR REPRESENTATION WHICH EXTENDS BEYOND THE DESCRIPTION OF THE FACT HEREOF.

The warranties of Seller do not cover and Seller makes no warranty with respect to:

1. Failures not reported to Seller within the warranty period specified above;
2. Failure or damage due to misapplication, abuse, improper installation, abnormal conditions of temperature, water, dirt or corrosive matter;
3. Failures due to operation above rated capacities or in an otherwise improper manner;
4. Products which have been in any way tampered with or altered by anyone other than an authorized representative of Seller; and
5. Products damages in shipment or storage or otherwise without fault of Seller.

Claims for expenses of Buyer relating in labor and/or material supplied by Buyer (commonly known as "Backcharges") will not be honored by Seller unless Buyer obtains Seller's prior written consent to supply such labor and/or material.

SHIPMENT AND DELIVERY

1. All products are sold on such Incoterms or other shipping terms that are indicated on the Seller's Acknowledgement. If no Incoterms are indicated on the Seller's Acknowledgement, all material is sold CPT (Incoterms 2020)
2. For all individual orders of products manufactured by SMS ("SMS products") for a net total of \$4,000 or more, freight will be prepaid to any free delivery point on a common carrier in the continental United States or Canada. No freight allowed for orders of SMS products under \$4,000 or for products manufactured by a third party. Such orders will be shipped freight collect or prepaid by Buyer. No freight allowance will be made on shipments forwarded collect at Buyer's request.
3. SMS will use its own discretion in routing all shipments upon which it assumes transportation charges. Where practical to do so, shipment will be made in any manner requested by Buyer if Buyer will assume the extra transportation cost.
4. Partial shipments of SMS products at Buyer's request must each total \$4,000 or more for prepaid transportation. No freight allowed for any partial shipments under \$4,000. Such orders will be shipped freight collect or prepaid by Buyer, unless otherwise agreed.
5. SMS will not assume, allow, or pay any charges for cartage.
6. Buyer should inspect all materials upon receipt as all claims for damage, errors, or shortages, other than attributable to the transit handling, must be made by Buyer within 15 days from receipt of shipment at destination. Failure to make such claims within a 15-day period shall constitute irrevocable acceptance of the material.
7. Orders received with a "HOLD" (for release, for approval, etc.) are not processed for manufacture until release is given. Normal shipping times apply starting from time of release.



Standard Terms and Conditions

RETURN POLICY

To qualify for a return, all products require a Return Authorization Number (RMA) prior to being returned, must be 100% complete, in the same condition as when sold and in the original packaging as provided by the manufacturer. All packaging materials, accessories and documentation must be included. Used parts will not be accepted. All returns will be inspected and products found to be non-conforming will be rejected. All returns are subject to a 25% restocking fee. Products returned without an RMA will be denied. An RMA must be requested from SMS within 180 days of the product purchase and the request must include the purchase order number or invoice number. Returns of specially made to order items is not subject to this return policy and will be handled by SMS on a case-by-case basis.

SMS is not responsible for products returned that are lost, broken, or damaged in transit. Freight and handling charges, both to and from SMS' warehouse will be paid by Buyer and are non-refundable. Refunds will be issued within 45 days from receipt of accepted items and in the same form as payment originally used for purchase. Refunds may be either in the form of credit towards future purchases from SMS, or: (a) for credit card purchases, a refund back to the credit card in U.S. funds; or (b) for purchases paid for by check, a refund in the form of a check in U.S. funds.

The refunded value for each item returned will be reduced to reflect the amount of any term discount previously taken when payment was made. If applicable, the appropriate tax amount for each item will be included with your refund. An additional deduction may be taken for any freight expense incurred by SMS when the product was originally shipped.

If SMS, at its sole discretion, decides to accept a non-qualified item for return, a restocking fee of 35% will be assessed.

Note: some manufacturers have implemented return restrictions that prevent SMS from being able to accept returns or offer exchanges, replacements or credits on their products for any reason. If this is the case, an RMA will not be issued.

PATENT INDEMNITY

Seller agrees that it will indemnify Buyer for all damages or costs resulting from any suit or demand alleging that the structure of a product or any part thereof manufactured by Seller infringes on any United States patent of plaintiff, if Seller is notified promptly in writing of such suit or demand and given adequate authority, information and assistance for the defense of name, provided, however, that Seller at its own option and expense shall have the right to settle such suit or demand either by procuring for Buyer the right to continue using the product or part thereof, or by replacing same with non-infringing product; or by modifying the same so that it becomes non-infringing; or by removing the alleged infringing product and refunding the purchase price. This indemnification clause does not apply to any product or part thereof made to Buyer's design or the design of which has been modified by Buyer or to any process in which the product may be used by Buyer or to any product which may be produced by the use of the product. As to any product or part thereof made to the Buyer's design or the design of which has been modified by Buyer, Buyer agrees that it will indemnify Seller for all damages or costs resulting from any suit or demand alleging infringement of any United States patent which claims the structure of such product or any part thereof.

LIMITATION ON LIABILITY

Seller's responsibility for any claims, damages, losses or liabilities arising out of or related to its performance of Buyer's order or the products covered hereunder shall not exceed the purchase price. In no event shall Seller be liable for any special, indirect, incidental or consequential damages of any character: including, but not limited to, loss of use of productive facilities or equipment, lost profits, property damage, expenses incurred in reliance on Seller's performance hereunder, or lost production, whether suffered by Buyer or any third party. Seller disclaims all liability for any and all costs, claims, demands, charges, expenses, or other damages, either direct or indirect, incident to all property damages arising out of any cause of action based on strict liability.

MODIFICATION, RESCISSION AND WAIVER

This contract may not be modified or rescinded nor any of its provisions waived unless such modification, rescission or waiver is in writing and signed by an authorized representative of Seller.

MISCELLANEOUS

Seller reserves the right to furnish substitutes for products which cannot be reasonably obtained because of any restrictions, voluntarily or compulsorily established by or in connection with any governmental authority or program. Seller may during any periods of shortage due to causes beyond the control of Seller or its suppliers, prorate its supply of products among all of its Buyers in such manner as may be deemed equitable in the sole judgement of Seller. Seller shall not incur any liability to Buyer because of any proration hereunder.

All orders must be accepted by an authorized representative of Seller. The rights and duties of the parties and construction and effect of all provisions hereof shall be governed by and construed according to the internal laws of Illinois, without reference to its choice of law provisions, provided that the parties agree to exclude the application of the United Nations Convention of Contracts for the International Sale of Goods (1980), and that all matters relating to arbitration will be governed by the Federal Arbitration Act (9 U.S.C. §§ 1 et seq.) and not by any state arbitration law.

Failure of Seller to insist in any one or more instances upon the performance of and of the terms and conditions of this contract or the failure of Seller to exercise any of its rights hereunder shall not be construed as a waiver or relinquishment of any such term, condition, or right hereunder and shall not affect Seller's right to insist upon strict performance and compliance with regard to any unexecuted portions of this contract or future performances of these terms and conditions.

NUCLEAR SALES

The products sold hereunder are not designed or manufactured for use in or with any atomic installation or activity.

FORCE MAJEURE

Seller will not be liable for: delays in shipment, default in delivery, Seller's non-performance of any obligations hereunder, or loss or damage to the products, caused directly or indirectly by any cause beyond Seller's or its suppliers' or subcontractors' reasonable control including, but not limited to, (a) government action, war, riots, civil commotion, acts of terrorism, embargoes or martial laws, (b) Seller's inability to obtain necessary materials from its usual sources of supply, (c) shortage of labor, raw material, production or transportation facilities or other delays in transit, (d) labor difficulty involving employees of Seller or others, (e) epidemic, fire, flood or other casualty, or (f) other contingencies of manufacture or shipment. In the event of any delay in Seller's performance due in whole or in part to any cause beyond Seller's reasonable control, Seller shall have such additional time for performance as may be reasonably necessary under the circumstances. Acceptance by Buyer of any goods shall constitute a waiver by Buyer of any claim for damages on account of any delay in delivery of such goods.

ARBITRATION

Any controversy or claim arising out of or relating to this agreement shall be determined by arbitration in accordance with the Arbitration Rules (the international rule if Buyer is located outside the U.S.A) of the American Arbitration Association. The arbitration proceedings shall be held before a one-member arbitral tribunal in Chicago, Illinois, U.S.A. and shall be conducted in the English language. The arbitrator shall be experienced in distribution matters. This arbitral tribunal shall apply the substantive laws set forth in these terms and conditions and shall render a written opinion of its decision. Seller and Buyer agree that arbitration will be conducted on an individual, not class-wide basis, and that an arbitration proceeding involving Seller and Buyer may not be consolidated with any other arbitration proceeding involving Seller or Buyer and another party. Any award of such arbitration tribunal shall be final and binding upon the parties to this agreement and non-appealable, except as provided by law or precedent, and shall be enforced in any court having competent jurisdiction.

U.S.A. EXPORT CONTROLS

Regardless of any disclosure made by Buyer to Seller of an ultimate destination for the good, Buyer acknowledges that goods being sold to Buyer are subject to United States export control laws. Buyer acknowledges that diversion contrary to United States law is prohibited and that it may not re-export the goods to any country or end-user subject to any United States trade embargo or otherwise ineligible to receive United States goods. Buyer shall be solely responsible for complying with all applicable government regulations of the United States and any foreign countries with respect to use of the goods outside the United States, including all costs associated therewith. Buyer shall defend, indemnify and hold Seller harmless from and against any and all claims, judgments, costs, awards, expenses (including reasonable attorneys' fees) and liabilities of any kind arising out of Buyer's noncompliance with applicable United States or foreign government regulations, statutes, decrees or other obligations with respect to the use or transfer of the goods outside of the United States by Buyer and its affiliates.

FOREIGN CORRUPT PRACTICES ACT REPRESENTATION

Buyer represents and agrees that it has not offered, given, promised to give or authorized giving, and will not offer, give, promise to give or authorize giving, directly or indirectly, any money or anything else of value to any government official, political party, political official or candidate for political official in connection with its activities hereunder.





© Copyright 2009-2024, Special Mines Services, Inc.
All Rights Reserved

www.smsconnectors.com